

# R7s Ceramic Lampholders

## For mains voltage halogen incandescent lamps

The luminaire design must ensure protection from electric shock as well as sufficient creepage distances and clearances from live parts on the back of lampholder.

If the central hole on the bracket is used for fixing there must be a support within the luminaire to ensure that the bracket cannot be deformed.

Partly enclosed R7s lampholder

Casing: ceramic, T350

Contact pin: Cu, silver bulb

Nominal rating: 8/250

Leads: Cu nickel-plated, stranded conductors

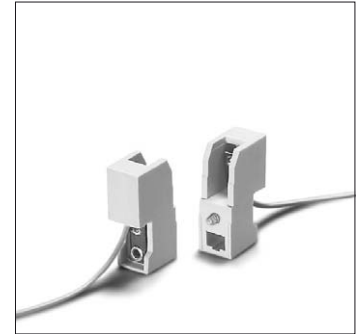
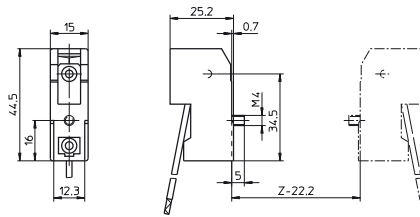
0.75 mm<sup>2</sup>, PTFE-insulation, length: 200 mm

With fixing screw M4

Weight: 25.4 g, unit: 400 pcs.

Type: 32300

**Ref. No.: 100912**



Partly enclosed R7s lampholder

Casing: ceramic, T350

Contact pin: Cu, silver bulb

Nominal rating: 8/250

Leads: Cu nickel-plated, stranded conductors

0.75 mm<sup>2</sup>, PTFE-insulation, length: 200 mm

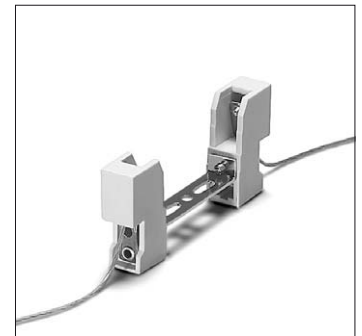
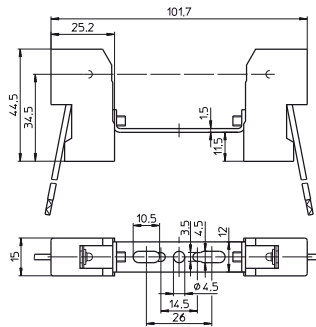
Oblong holes for screws M3/M4

Central hole for screw M4

Weight: 59.3 g, unit: 200 pcs.

Type: 32390 contact distance: 74.9 mm

**Ref. No.: 107213**



Partly enclosed R7s lampholder

Casing: ceramic, T350

Contact pin: Cu, silver bulb

Nominal rating: 8/250

Leads: Cu nickel-plated, stranded conductors

0.75 mm<sup>2</sup>, PTFE-insulation, length: 200 mm

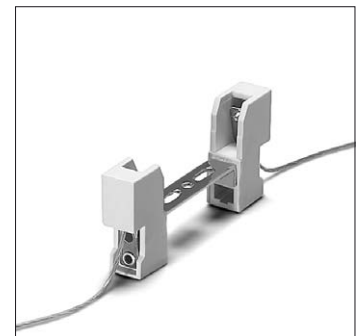
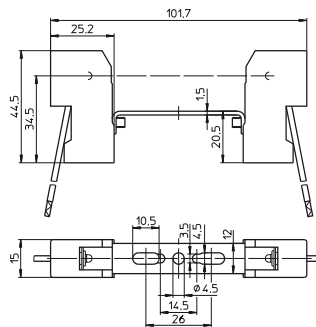
Oblong holes for screws M3/M4

Central hole for screw M4

Weight: 61 g, unit: 200 pcs.

Type: 32391 contact distance: 74.9 mm

**Ref. No.: 107214**



Partly enclosed R7s lampholder

Casing: ceramic, T350

Contact pin: Cu, silver bulb

Nominal rating: 8/250

Leads: Cu nickel-plated, stranded conductors

0.75 mm<sup>2</sup>, PTFE-insulation, length: 200 mm

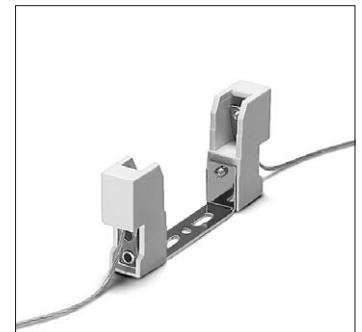
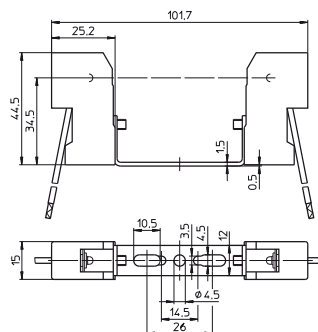
Oblong holes for screws M3/M4

Central hole for screw M4

Weight: 61.3 g, unit: 200 pcs.

Type: 32395 contact distance: 74.9 mm

**Ref. No.: 107215**



Partly enclosed R7s lampholder

Casing: ceramic, T350

Contact pin: Cu, silver bulb

Nominal rating: 8/250

Leads: Cu nickel-plated, stranded conductors  
0.75 mm<sup>2</sup>, PTFE-insulation, length: 200 mm

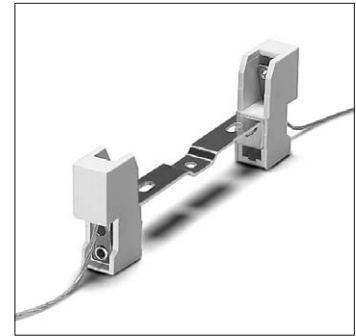
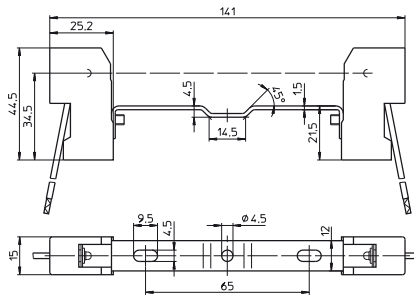
Oblong holes for screws M4

Central hole for screw M4

Weight: 64.9 g, unit: 200 pcs.

Type: 32310 contact distance: 114.2 mm

**Ref. No.: 107195**



Partly enclosed R7s lampholder

Casing: ceramic, T350

Contact pin: Cu, silver bulb

Nominal rating: 8/250

Leads: Cu nickel-plated, stranded conductors  
0.75 mm<sup>2</sup>, PTFE-insulation, length: 200 mm

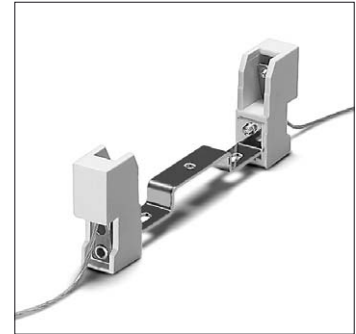
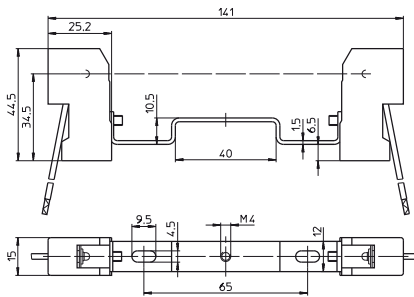
Oblong holes for screws M4

Central threaded bush M4

Weight: 66.5 g, unit: 200 pcs.

Type: 32320 contact distance: 114.2 mm

**Ref. No.: 107194**



Partly enclosed R7s lampholder

Casing: ceramic, T350

Contact pin: Cu, silver bulb

Nominal rating: 8/250

Leads: Cu nickel-plated, stranded conductors  
0.75 mm<sup>2</sup>, PTFE-insulation, length: 200 mm

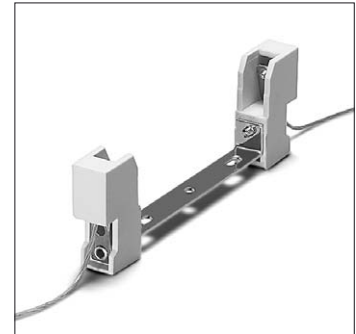
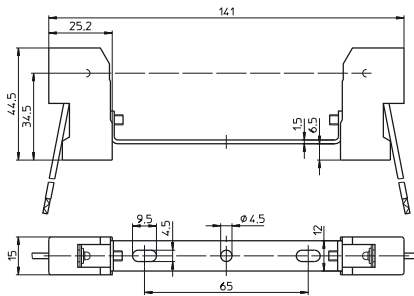
Oblong holes for screws M4

Central hole for screw M4

Weight: 65.4 g, unit: 200 pcs.

Type: 32340 contact distance: 114.2 mm

**Ref. No.: 107193**



Partly enclosed R7s lampholder

Casing: ceramic, T350

Contact pin: Cu, silver bulb

Nominal rating: 8/250

Leads: Cu nickel-plated, stranded conductors  
0.75 mm<sup>2</sup>, PTFE-insulation, length: 200 mm

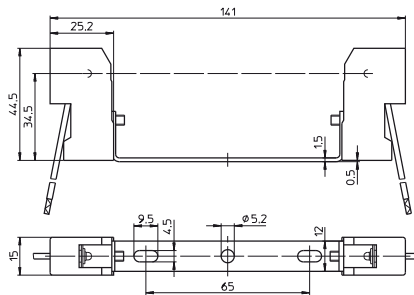
Oblong holes for screws M4

Central hole for screw M5

Weight: 66.7 g, unit: 200 pcs.

Type: 32360 contact distance: 114.2 mm

**Ref. No.: 107192**



Partly enclosed R7s lampholder

Casing: ceramic, T350

Contact pin: Cu, silver bulb

Nominal rating: 8/250

Leads: Cu nickel-plated, stranded conductors  
0.75 mm<sup>2</sup>, PTFE-insulation, length: 200 mm

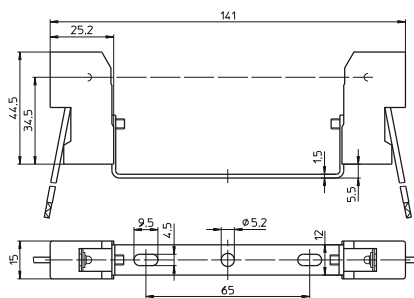
Oblong holes for screws M4

Central hole for screw M5

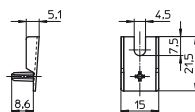
Weight: 71.3 g, unit: 200 pcs.

Type: 32380 contact distance: 114.2 mm

**Ref. No.: 109497**



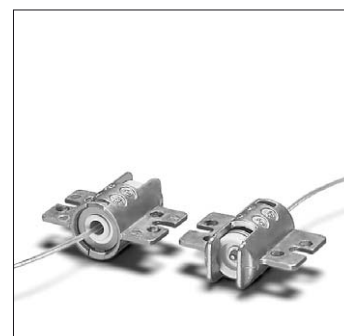
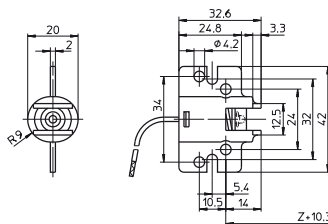
Protection cap for R7s lampholders  
 For push-fit onto lampholders type 323  
 Protection against electrical shock  
 on the rear side of the lampholder  
 Lampholder with assembled protection cap on request  
 Material: LCP, natural  
 Weight: 0.7 g, unit: 1000 pcs.  
 Type: 97528  
**Ref. No.: 507592**



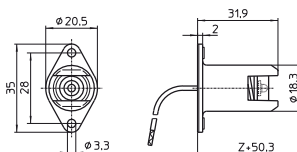
## R7s Metal Lampholders

**For mains voltage halogen incandescent lamps**

R7s lampholder  
 Casing: Al, T300, contact pin: Ni  
 Nominal rating: 10/250  
 Lead: Cu nickel-plated, stranded conductors  
 0.75 mm<sup>2</sup>, PTFE-insulation, length: 300 mm  
 Fixing flange  
 Fixing holes for screws M4  
 Weight: 21 g, unit: 50 pcs.  
 Type: 30023  
**Ref. No.: 100616**



R7s lampholder  
 Casing: Al, T300, contact pin: Cu, silver bulb  
 Nominal rating: 10/250  
 Lead: Cu nickel-plated, stranded conductors  
 1 mm<sup>2</sup>, PTFE-insulation, length: 300 mm  
 Fixing flange  
 Fixing holes for screws M3  
 Weight: 15.7 g, unit: 1000 pcs.  
 Type: 30523  
**Ref. No.: 100710**



R7s lampholder  
 Casing: Al, T300, contact pin: Cu, silver bulb  
 Nominal rating: 10/250  
 Lead: Cu nickel-plated, stranded conductors  
 1 mm<sup>2</sup>, PTFE-insulation, length: 350 mm  
 Fixing bracket  
 Fixing holes for screws M4  
 Weight: 24.8 g, unit: 500 pcs.  
 Type: 30550  
**Ref. No.: 100720**

