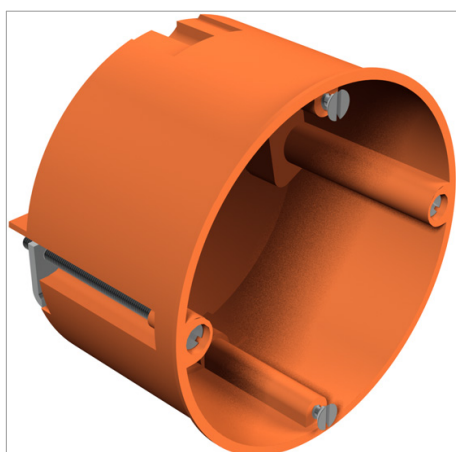
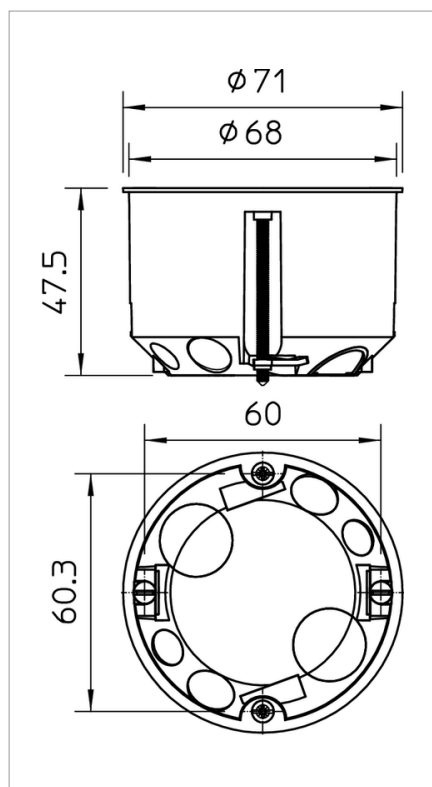


Technical data sheet

Cavity wall accessory socket



Cavity wall accessory socket. Dimensions to DIN 49073-1, for plate thickness 7–35 mm. Standard combination spacing 71 mm, option for continuous wiring using connection support for combinations between accessory sockets and accessory connection sockets, 8 break-out openings for NYM cables, data cables and pipes \varnothing 20 mm, accessory sockets can also be used as connection sockets to VDE 0606-1 with double bolt fastening and screw-on cover, protection rating IP20.



Type	Colour	Milling hole diameter mm	Height mm	\varnothing	Box quantity	Pack. pcs	Weight kg/100 pcs.	Art.-No.
HG 60	Orange	68	47	68	250	25	2.240	2003414

PP Polypropylene

/100

