

G13 Push-through Lampholders

For fluorescent lamps T8 (T26), T12 (T38)

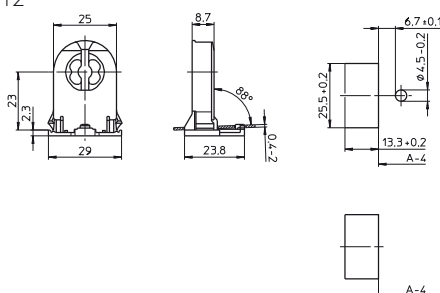
Pin support for reliable contact
 Lampholders with integrated starter holder have push-in twin terminals for the lamp circuit and push-in terminals for the starter circuit.
 Max. permitted temperature T_m on the rear side of the lampholder: 110 °C

G13 push-through lampholders for lamps T8 and T12

Lamp axis: 23 mm
 Casing: PC, white, frontplate: PBT GF, white T140, nominal rating: 2/500
 Push-in terminals: 0.5–1 mm²
 Lateral fixing clips for wall thickness 0.4–2 mm
 Weight: 6 g, unit: 1000 pcs.
 Type: 27700/27701

Ref. No.: 109330 with stop

Ref. No.: 109331 without stop

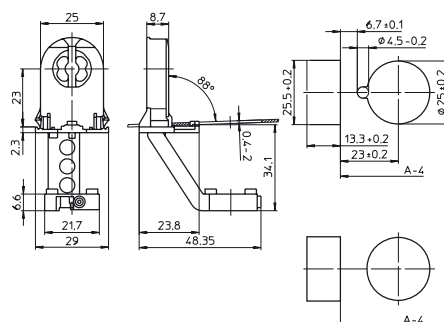


G13 push-through lampholders for lamps T8

With starter attachment
 Lamp axis: 23 mm
 Casing: PC, white, frontplate: PBT GF, white T140, nominal rating: 2/500
 Push-in terminals: 0.5–1 mm²
 Lateral fixing clips for wall thickness 0.4–2 mm
 Weight: 10.4 g, unit: 500 pcs.
 Type: 27800/27801

Ref. No.: 109332 with stop

Ref. No.: 109335 without stop

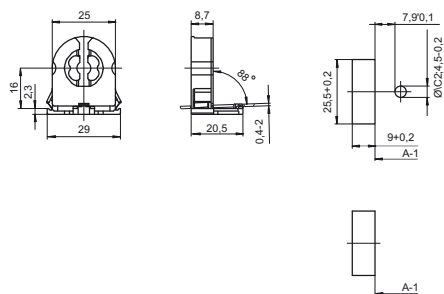


G13 push-through lampholders for lamps T8

Lamp axis: 16 mm
 Casing: PC, white, frontplate: PBT GF, white T140, nominal rating: 2/500
 Push-in terminals: 0.5–1 mm²
 Lateral fixing clips for wall thickness 0.4–2 mm
 Weight: 4.6/4.4 g, unit: 1000 pcs.
 Type: 29300/29301

Ref. No.: 509134 with stop

Ref. No.: 509135 without stop

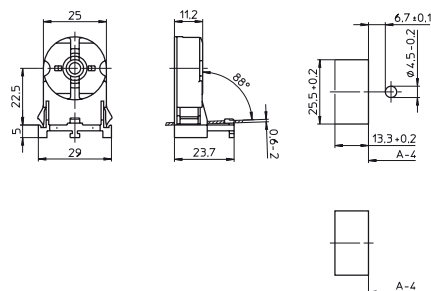


G13 push-through lampholders for lamps T8 and T12

Lamp axis: 22.5 mm
 Casing: PC, white, rotor: PBT GF, white T130, nominal rating: 2/500
 Push-in terminals: 0.5–1 mm²
 Lateral fixing clips for wall thickness 0.6–2 mm
 Weight: 7.5/7.4 g, unit: 500 pcs.
 Type: 27700/27701

Ref. No.: 100562 with stop

Ref. No.: 100564 without stop



G13 push-through lampholders for lamps T8

With starter attachment

Lamp axis: 22.5 mm

Casing: PC, white, rotor: PBT GF, white

T130, nominal rating: 2/500

Push-in terminals: 0.5–1 mm²

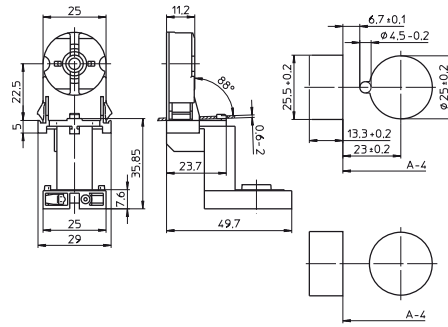
Lateral fixing clips for wall thickness 0.6–2 mm

Weight: 13.8 g, unit: 500 pcs.

Type: 27800/27801

Ref. No.: 100575 with stop

Ref. No.: 100577 without stop



G13 push-through lampholders for lamps T8 and T12

With starter attachment

Lamp axis: 22.5 mm

Casing: PC, white, rotor: PBT, white

T130, nominal rating: 2/500

Push-in terminals: 0.5–1 mm²

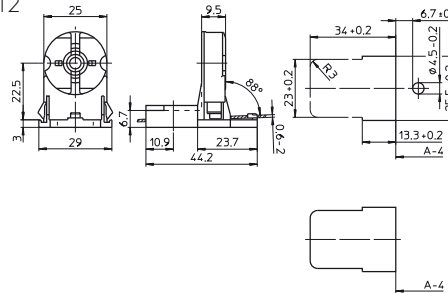
Lateral fixing clips for wall thickness 0.6–2 mm

Weight: 9.5 g, unit: 500 pcs.

Type: 27820/27821

Ref. No.: 100579 with stop

Ref. No.: 100581 without stop



G13 push-through lampholders for lamps T8 and T12

Lamp axis: 31 mm

Casing: PC, white, frontplate: PBT GF, white

T140, nominal rating: 2/500

Push-in terminals: 0.5–1 mm²

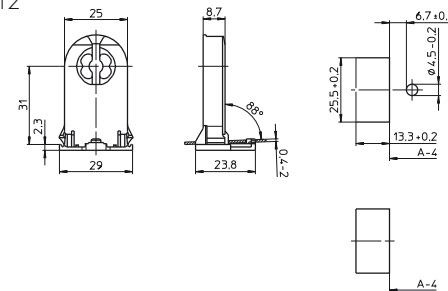
Lateral fixing clips for wall thickness 0.4–2 mm

Weight: 7.8 g, unit: 1000 pcs.

Type: 28500/28501

Ref. No.: 109338 with stop

Ref. No.: 109339 without stop



G13 push-through lampholders for lamps T8 and T12

With starter attachment

Lamp axis: 31 mm

Casing: PC, white, frontplate: PBT GF, white

T140, nominal rating: 2/500

Push-in terminals: 0.5–1 mm²

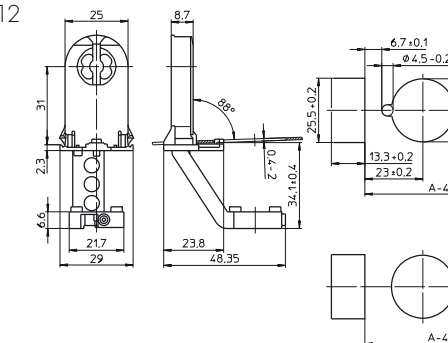
Lateral fixing clips for wall thickness 0.4–2 mm

Weight: 10.3/10.1 g, unit: 500 pcs.

Type: 28600/28601

Ref. No.: 109340 with stop

Ref. No.: 109341 without stop



G13 push-through lampholders for lamps T8 and T12

Lamp axis: 31 mm

Casing: PC, white, rotor: PBT GF, white

T130, nominal rating: 2/500

Push-in terminals: 0.5–1 mm²

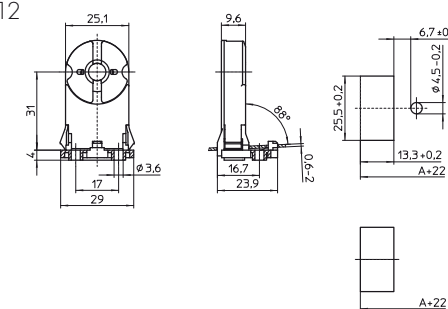
Lateral fixing clips for wall thickness 0.6–2 mm

Weight: 9.6 g, unit: 500 pcs.

Type: 28740/28741

new **Ref. No.: 542983** with stop

new **Ref. No.: 542984** without stop



G13 push-through lampholders for lamps T8 and T12

Lamp axis: 31 mm

Casing: PC, white, rotor: PBT, white

T130, nominal rating: 2/500

Push-in terminals: 0.5–1 mm²

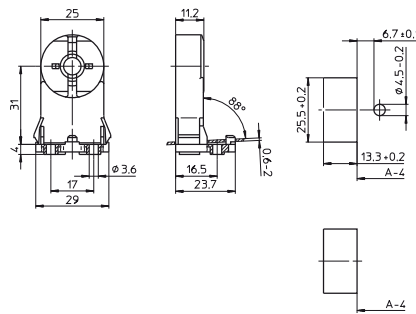
Lateral fixing clips for wall thickness 0.6–2 mm

Weight: 9.9 g, unit: 1000 pcs.

Type: 28500/28501

Ref. No.: 100591 with stop

Ref. No.: 100593 without stop



G13 push-through lampholders for lamps T8 and T12

With starter attachment

Lamp axis: 31 mm

Casing: PC, white, rotor: PBT, white

T130, nominal rating: 2/500

Push-in terminals: 0.5–1 mm²

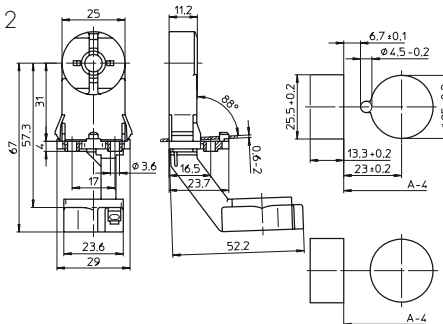
Lateral fixing clips for wall thickness 0.6–2 mm

Weight: 16.1 g, unit: 500 pcs.

Type: 28600/28601

Ref. No.: 100596 with stop

Ref. No.: 100598 without stop



G13 push-through lampholders for lamps T8 and T12

For the automatic luminaire wiring

Lamp axis: 23 mm

Casing: PC, white, frontplate: PBT GF, white

T140, nominal rating: 2/500

IDC terminals for leads H05V-U 0.5

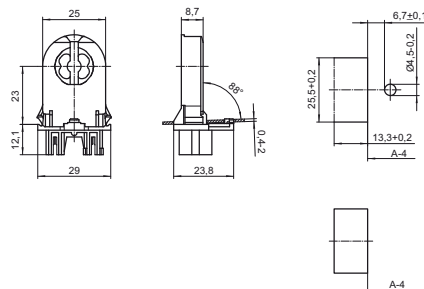
Lateral fixing clips for wall thickness 0.4–2 mm

Weight: 7.7/7.5 g, unit: 1000 pcs.

Type: 27780/27781

Ref. No.: 526019 with stop

Ref. No.: 526020 without stop



G13 push-through lampholders for lamps T8 and T12

For the automatic luminaire wiring

Lamp axis: 31 mm

Casing: PC, white, frontplate: PBT GF, white

T140, nominal rating: 2/500

IDC terminals for leads H05V-U 0.5

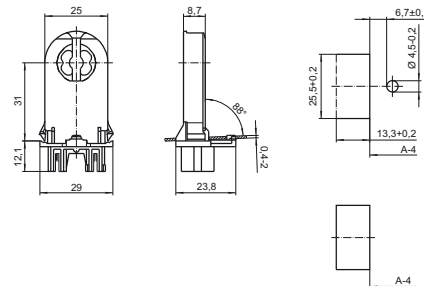
Lateral fixing clips for wall thickness 0.4–2 mm

Weight: 8.8/8.6 g, unit: 1000 pcs.

Type: 28580/28581

Ref. No.: 526021 with stop

Ref. No.: 526022 without stop

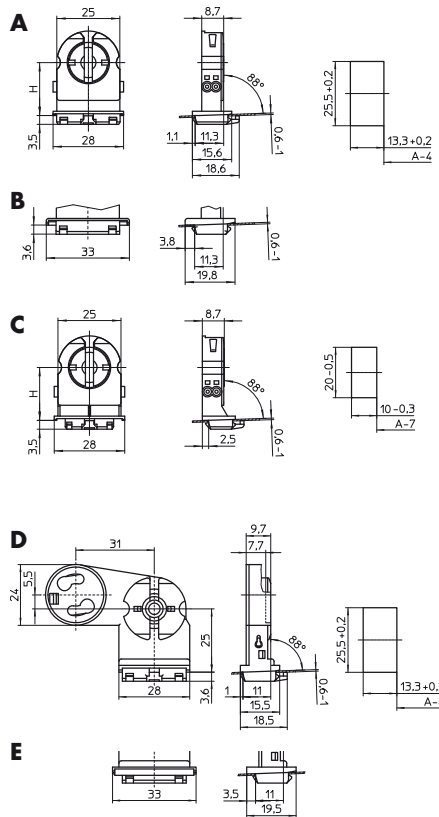


G13 Push-fit Lampholders

For fluorescent lamps T8 (T26), T12 (T38)

Pin support for reliable contact
 Lampholders with integrated starter holder
 are equipped with big rotor and have
 push-in twin terminals for the lamp circuit and
 push-in terminals for the the starter circuit.
 Max. permitted temperature T_m
 on the rear side of the lampholder: 110 °C
 T-Marking acc. to IEC
 IP50 version: push-fit foot with gasket

G13 push-fit lampholders for lamps T8 and T12
 Casing: PC, white, rotor: PBT GF, white
 Nominal rating: 2/500
 Lateral push-in terminals: 0.5–1 mm²
 Push-fit foot for wall thickness 0.6–1 mm

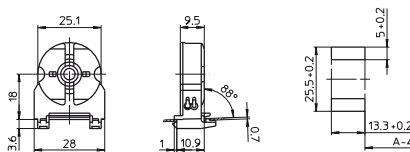


	Type	Ref. No.	Lamp axis H (mm)	Luminaire cut-out (mm)	Degree of protection push-fit foot	T-Marking	Starter attachment	Top-Test function	Drawing	Weight g	Unit pcs.
new >>>	24100	537132*	25	13.3 x 25.5	IP40	T140	—	•	A	9	1000
	27200	100536	25	13.3 x 25.5	IP40	T130	•	—	D	10.4	1000
new >>>	24110	537135*	25	13.3 x 25.5	IP50	T140	—	•	B	9	1000
	27201	100540	25	13.3 x 25.5	IP50	T130	•	—	E	12	500
new >>>	24120	537138*	25	10 x 20	IP40	T140	—	•	C	5.7	1000
new >>>	24170	537150*	21	13.3 x 25.5	IP40	T140	—	•	A	5.6	1000
new >>>	24160	537147*	21	10 x 20	IP40	T140	—	•	C	6	1000
new >>>	24150	537144*	18	13.3 x 25.5	IP40	T140	—	•	A	5.4	1000

* Rotoclic

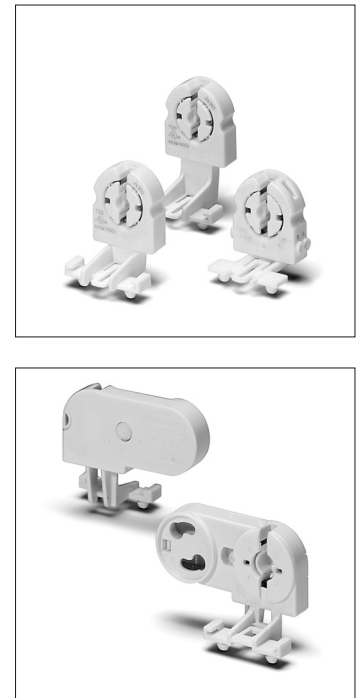
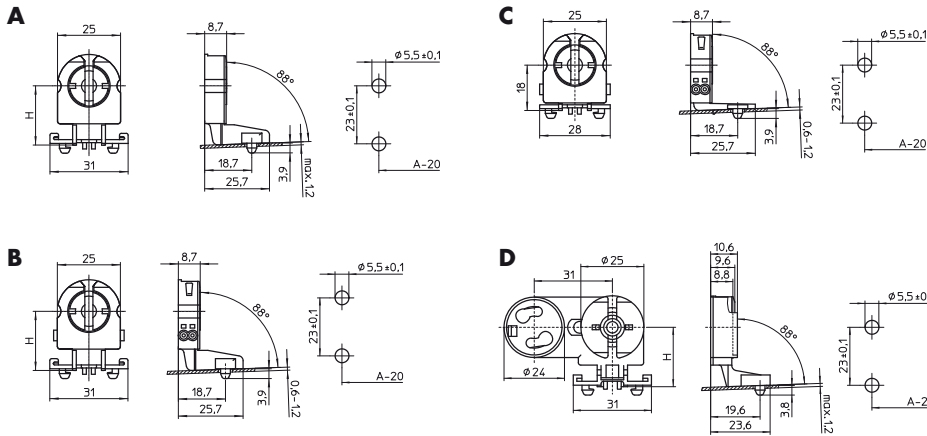
G13 push-fit lampholder for lamps T8
 Lamp axis: 18 mm
 Casing: PC, white, rotor: PBT GF, white, T130
 Nominal rating: 2/500
 Push-in terminals: 0.5–1 mm²
 Push-fit feet for wall thickness 0.7 mm
 Weight: 6 g, unit: 1000 pcs.
 Type: 27151

Ref. No.: 100532



new >>

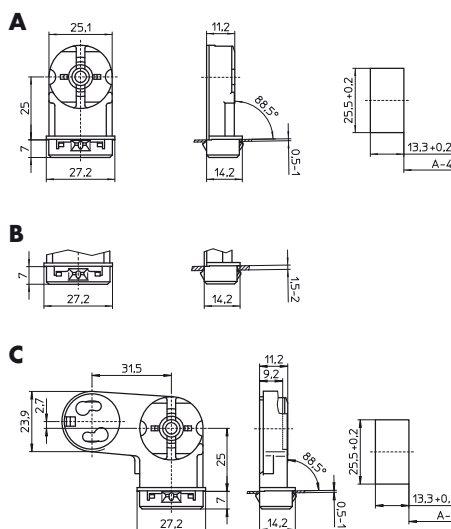
G13 push-fit lampholders for lamps T8
 Casing: PC, white, rotor: PBT GF, white
 Nominal rating: 2/500 (with starter attachment: 2/250)
 Lateral or base push-in terminals: 0.5–1 mm²
 Base split pins for wall thickness up to 1.2 mm



	Type	Ref. No.	Lamp axis H (mm)	Luminaire cut-out (mm)	Degree of protection	T-Marking	Starter attachment	Top-Test function	Push-in terminals	Drawing	Weight g	Unit pcs.
new >>	24360	537155*	30	Ø5.5 x 23	IP40	T140	—	—	base	A	5.9	1000
	27460	100559	30	Ø5.5 x 23	IP40	T130	•	—	base	D	9.7	1000
new >>	23360	537160*	30	Ø5.5 x 23	IP40	T140	—	•	lateral	B	6	1000
new >>	24350	537153*	23.5	Ø5.5 x 23	IP40	T140	—	—	base	A	5.7	1000
	27450	100557	23.5	Ø5.5 x 23	IP40	T130	•	—	base	D	9.5	1000
new >>	23350	537157*	23.5	Ø5.5 x 23	IP40	T140	—	•	lateral	B	5.8	1000
new >>	23370	539128*	18	Ø5.5 x 23	IP40	T140	—	•	lateral	C	5.3	1000

* Rotoclic

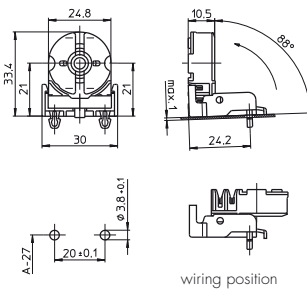
G13 push-fit lampholders for lamps T8 and T12
 Casing: PC, white, rotor: PBT GF, white
 Nominal rating: 2/500
 Base push-in terminals: 0.5–1 mm²
 Base push-fit foot for wall thickness (see table)



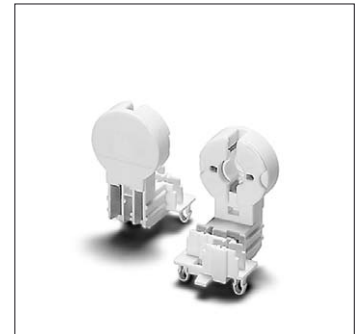
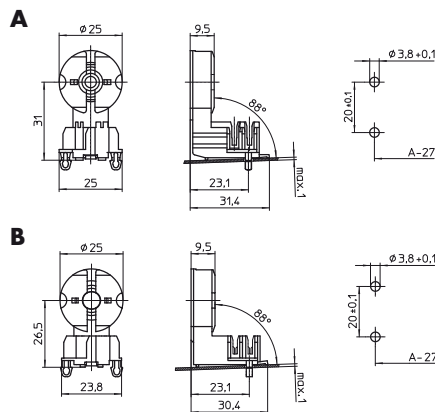
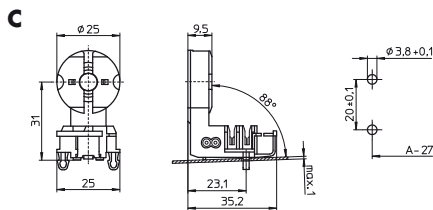
	Type	Ref. No.	Lamp axis mm	Luminaire cut-out (mm)	Degree of protection	T-Marking	Starter attachment	Push-fit foot for wall thickness	Drawing	Weight g	Unit pcs.
	28100	100585	25	13.3 x 25.5	IP40	T130	—	0.5–1 mm	A	5	500
	28200	100588	25	13.3 x 25.5	IP40	T130	•	0.5–1 mm	C	11	500
	28101	100587	25	13.3 x 25.5	IP40	T130	—	1.5–2 mm	B	8	500

G13 push-fit lampholder for lamps T8
 For the automatic luminaire wiring
 Casing: PC, white, rotor: PBT GF, white, T130
 Nominal rating: 2/250, lamp axis: 21 mm
 IDC terminals for leads H05V-U 0.5
 Base split pins for wall thickness up to 1 mm
 The lampholder is wired in its horizontal position
 Weight: 6.7 g, unit: 1000 pcs.
 Type: 48230

Ref. No.: 108730



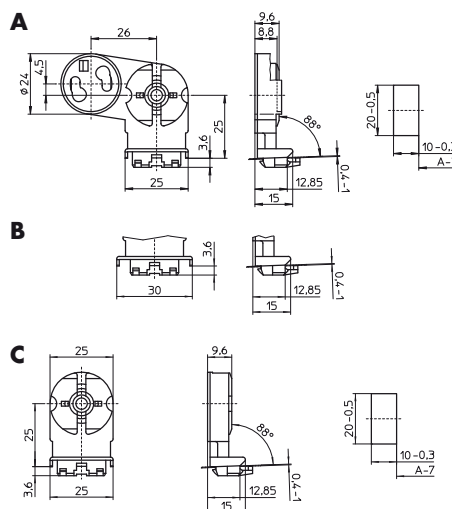
G13 push-fit lampholders for lamps T8 and T12
 For the automatic luminaire wiring
 Casing: PC, white, rotor: PBT GF, white
 Nominal rating: 2/500
 IDC terminals for leads H05V-U 0.5
 Base split pins for wall thickness up to 1 mm



Type	Ref. No.	Lamp axis mm	Luminaire cut-out (mm)	For lamps	T-Marking	Drawing	Weight g	Unit pcs.
28310	506007	31	∅3.8 x 20	T8	T130	A	7.2	1000
28315	504202	26.5	∅3.8 x 20	T8	T130	B	7.1	1000
28330	508423*	31	∅3.8 x 20	T8, T12	T130	C	8	1000

* lateral push-in twin terminals: 0.5–1 mm²
 front cable holder for up to 3 individual conductors

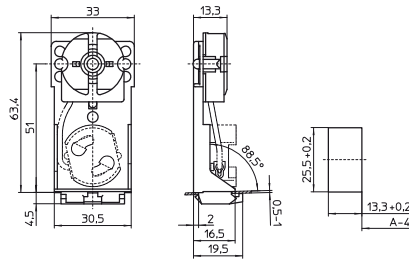
G13 push-fit lampholders
 Casing: PC, white, rotor: PBT GF, white
 Nominal rating: 5/500
 Push-in terminals: 0.5–1 mm²
 Push-fit foot for wall thickness 0.4–1 mm



Type	Ref. No.	Lamp axis mm	Luminaire cut-out (mm)	For lamps	T-Marking	Starter attachment	Push-in terminals	Drawing	Weight g	Unit pcs.
28901	108436	25	20 x 10	T8, T12	T130	—	lateral, base	C	5.8	500
28900	108435	25	20 x 10	T8	T130	•	lateral, base	A	6	500
28921	108438	25	20 x 10	T8, T12	T130	—	lateral, base	B	6	500
28920	108437	25	20 x 10	T8	T130	•	lateral, base	B	8.5	500
28903	108408*	31	20 x 10	T8	T130	—	base	similar to 28901	6	500

* smooth backcover design

G13 push-fit lampholders for lamps T8 and T12
 Casing: PC, white, rotor: PBT GF, white
 Nominal rating: 2/500
 Push-in terminals: 0.5–1 mm²
 Push-fit foot for wall thickness 0.5–1 mm
 Option for lateral or base wiring



Type	Ref. No.	Lamp axis mm	Luminaire cut-out (mm)	T-Marking	Starter attachment	Push-in terminals	Weight g	Unit pcs.
47520	101758	51	13.3 x 25.5	T130	—	lateral, base	10	500
47620	101777	51	13.3 x 25.5	T130	•	lateral, base	13.4	500

G13 Push-fit Twin Lampholders, Accessories

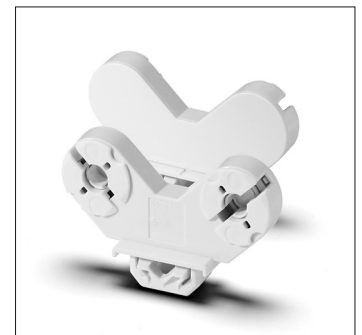
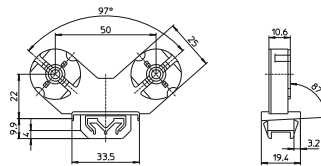
For fluorescent lamps T8 (T26), T12 (T38)

Pin support for reliable contact
 Max. permitted temperature T_m
 on the rear side of the lampholder: 110 °C

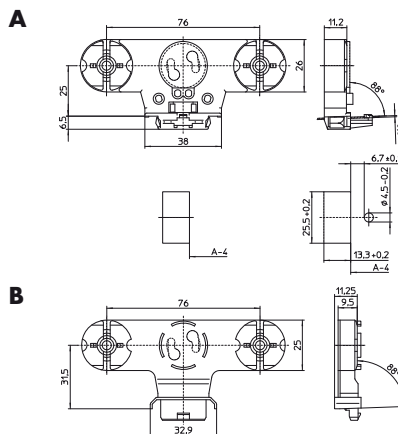
G13 twin lampholder for lamps T8
 Lamp axis: 22 mm, distance between two lamp axes: 50 mm, casing: PC, white, rotor: PBT GF, white T130, nominal rating: 2/500

Base wiring
 Push-in terminals: 0.5–1 mm²
 Push-fit foot for wall thickness 1 mm
 Weight: 14 g, unit: 400 pcs.
 Type: 22900

Ref. No.: 108984



G13 twin lampholders for lamps T8 and T12
 Distance between two lamp axes: 76 mm
 Casing: PC, white, rotor: PBT GF, white
 Nominal rating: 2/500
 Push-in twin terminals: 0.5–1 mm² (lamp circuit)
 Push-in terminals: 0.5–1 mm² (starter circuit)
 Push-fit foot for wall thickness 0.6–1 mm

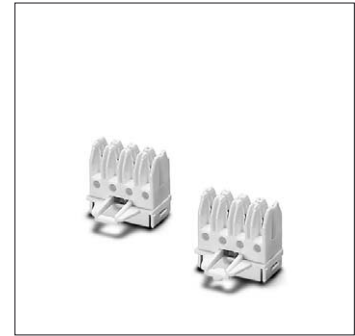
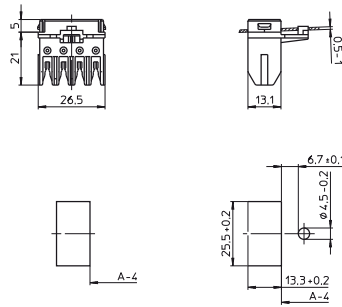


Type	Ref. No.	Lamp axis mm	Luminaire cut-out mm	T-Marking	Starter attachment	Push-in terminals	Stop	Drawing	Weight g	Unit pcs.
22604	108816	51	13.3 x 25.5	T130	—	base	with	A	21	200
22600	100484	51	13.3 x 25.5	T130	•	base	with	A	21	500
22602	100487	51	13.3 x 25.5	T130	—	base	without	A	21	200
22601	100486	51	13.3 x 25.5	T130	•	base	without	A	21	500
22800	108773*	31.5	for wiring inserts	T130	•	—	—	B	17	250
22801	108775*	31.5	for wiring inserts	T130	—	—	—	B	17	250

* for wiring inserts 108777/108778

Wiring inserts with push-fit foot
 For G13 twin lampholders 108773/108775
 Material: PC, white
 Push-in terminals: 0.5 mm²
 For the automatic luminaire wiring:
 IDC terminals for leads H05V-U 0.5
 Weight: 5.3 g, unit: 500 pcs.
 Type: 22850/22851

Ref. No.: 108777 with stop
Ref. No.: 108778 without stop

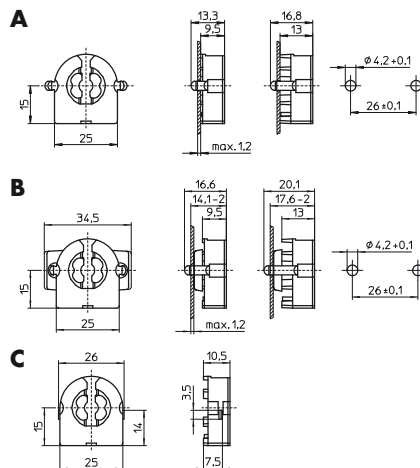


G13 Built-in Lampholders

For fluorescent lamps T8 (T26), T12 (T38)

Pin support for reliable contact
 (except for type 485)
 Lampholders with integrated starter holder
 are equipped with big rotor and have
 push-in twin terminals for the lamp circuit and
 push-in terminals for the the starter circuit.
 Max. permitted temperature T_m
 on the rear side of the lampholder: 110 °C
 T-Marking acc. to IEC

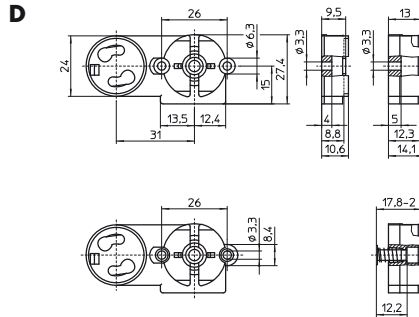
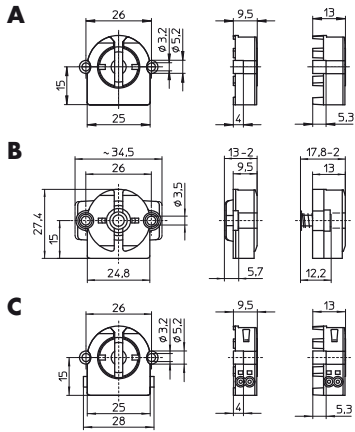
G13 built-in lampholders for lamps T8 and T12
 Casing: PC, white, frontplate: PBT GF, white
 Nominal rating: 2/500
 Push-in terminals: 0.5–1 mm²
 Rear split pins for wall thickness up to 1.2 mm
 (Type 471 and 475)



Type	Ref. No.	Lampholder thickness (mm)	Spring adjustment	T-Marking	Drawing	Weight g	Unit pcs.
47105	509152	13	—	T140	A	4.6	1000
47106	509154	13	•	T140	B	5.4	1000
47505	509162	9.5	—	T140	A	4.4	1000
47506	509164	9.5	•	T140	B	5.1	1000
47304	509156	10.5	—	T140	C	4.2	1000

new >>

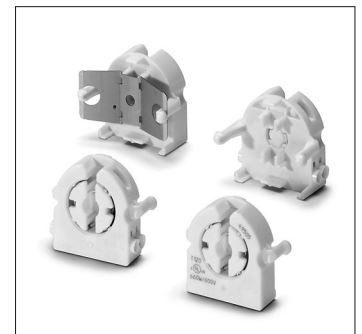
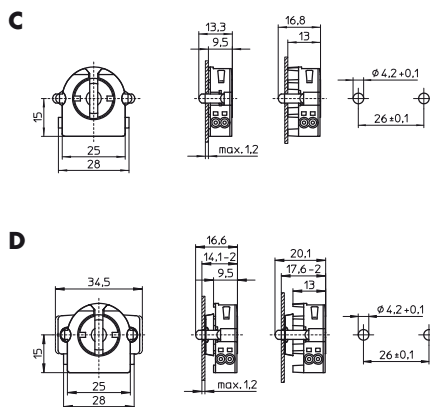
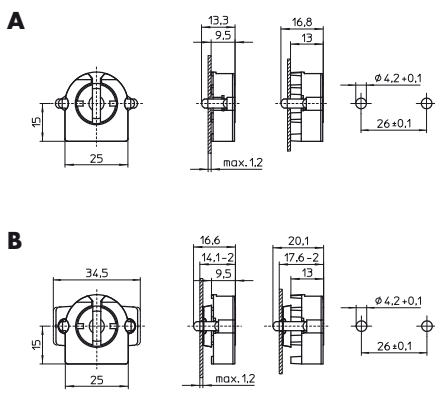
G13 built-in lampholders for lamps T8 and T12
 Casing: PC, white, rotor: PBT GF, white
 Nominal rating: 2/500
 Lateral or base push-in terminals: 0.5–1 mm²
 Fixing holes for screws M3

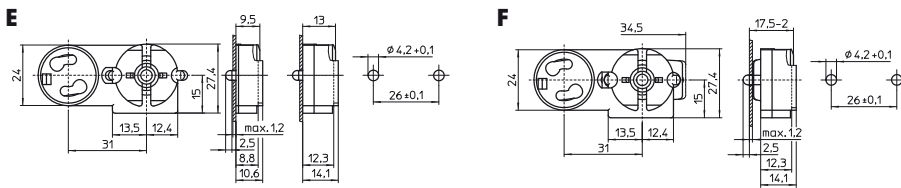


Type	Ref. No.	Lampholder thickness (mm)	Spring adjustment	T-Marking	Starter attachment	Top-Test function	Push-in terminals	Drawing	Weight g	Unit pcs.
new >>	49100	537165*	13	—	T140	—	base	A	5	1000
	47102	101681	13	•	T130	—	base	B	6	1000
new >>	59100	537181*	13	—	T140	—	lateral	C	5	1000
new >>	49500	537173*	9.5	—	T140	—	base	A	5	1000
	47502	101740	9.5	•	T130	—	base	B	5.5	1000
new >>	59500	537205*	9.5	—	T140	—	lateral	C	4.7	1000
	47200	101706	13	—	T130	•	base	D	8.7	1000
	47202	101708	13	•	T130	•	base	D	10.3	1000
	47600	101765	9.5	—	T130	•	base	D	8	1000

* Rotoclic

G13 built-in lampholders for lamps T8 and T12
 Casing: PC, white, rotor: PBT GF, white
 Nominal rating: 2/500
 Lateral or base push-in terminals: 0.5–1 mm²
 Rear split pins for wall thickness up to 1.2 mm





Type	Ref. No.	Lampholder thickness (mm)	Spring adjustment	T-Marking	Starter attachment	Top-Test function	Push-in terminals	Drawing	Weight g	Unit pcs.
new >>> 49105	537166*	13	—	T140	—	—	base	A	5.1	1000
new >>> 49106	537167*	13	•	T140	—	—	base	B	5.9	1000
new >>> 59105	537182*	13	—	T140	—	•	lateral	C	5	1000
new >>> 59106	537183*	13	•	T140	—	•	lateral	D	5	1000
new >>> 49505	537174*	9.5	—	T140	—	—	base	A	5	1000
new >>> 49506	537175*	9.5	•	T140	—	—	base	B	5.5	1000
new >>> 59505	537206*	9.5	—	T140	—	•	lateral	C	4.8	1000
new >>> 59506	537207*	9.5	•	T140	—	•	lateral	D	4.8	1000
47205	101712	13	—	T130	•	—	base	E	9	1000
47206	101716	13	•	T130	•	—	base	F	9.5	1000
47605	101769	9.5	—	T130	•	—	base	E	8	1000
47606	101773	9.5	•	T130	•	—	base	F	8.5	1000

* Rotoclic

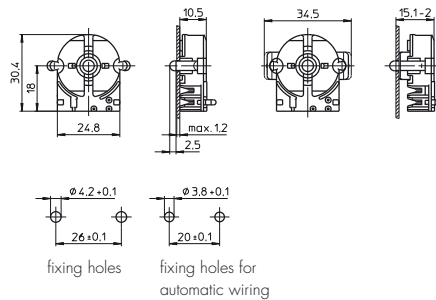
G13 built-in lampholders for lamps T8

For the automatic luminaire wiring
 Casing: PC, white, rotor: PBT GF, white, T130
 Nominal rating: 2/500, lampholder thickness: 10.5 mm, IDC terminals for leads H05V-U 0.5
 Rear split pins for wall thickness up to 1.2 mm
 Weight: 5/5.5 g, unit: 1000 pcs.
 Type: 48205

Ref. No.: 507133

Type: 48206 with spring adjustment

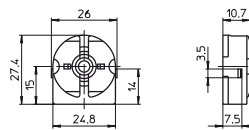
Ref. No.: 507134



G13 built-in lampholder for lamps T8 and T12

Lampholder thickness: 10.7 mm
 Casing: PC, white, rotor: PBT GF, white, T130
 Nominal rating: 2/500
 Push-in terminals: 0.5–1 mm²
 Lateral fixing clips
 Weight: 4.7 g, unit: 1000 pcs.
 Type: 47504

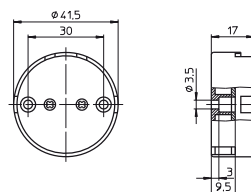
Ref. No.: 101745



G13 lampholder

For push-fitting onto lamps T12
 Lampholder thickness: 9.5 mm
 Casing: PC, white, T110
 Front cover plate: PBT GF, white
 Nominal rating: 2/250
 Push-in terminals: 0.5–1 mm²
 Fixing holes for screws M3
 Weight: 10.5 g, unit: 1000 pcs.
 Type: 47700

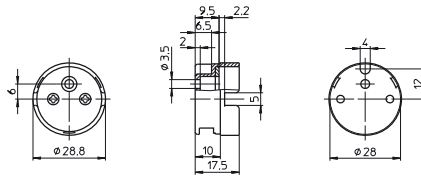
Ref. No.: 101781



G13 lampholder

For push-fitting onto lamps T8
Lampholder thickness: 9.5 mm
Casing: PC, white, T110
Front cover plate: PBT GF, white
Nominal rating: 2/500
Push-in terminals: 0.5–1 mm²
Fixing hole for screw M3
Weight: 5.3 g, unit: 1000 pcs.
Type: 47900

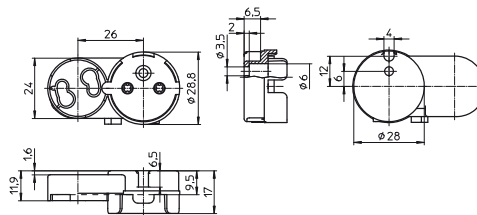
Ref. No.: 101784



G13 lampholder

For push-fitting onto lamps T8
With starter attachment
Lampholder thickness: 9.5 mm
Casing: PC, white, T110, front cover plate:
PBT GF, white, nominal rating: 2/250
Push-in terminals: 0.5–1 mm²
Fixing hole for screw M3
Weight: 8.1 g, unit: 1000 pcs.
Type: 47920

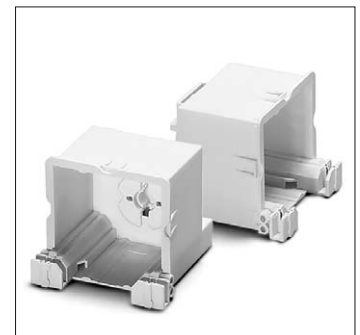
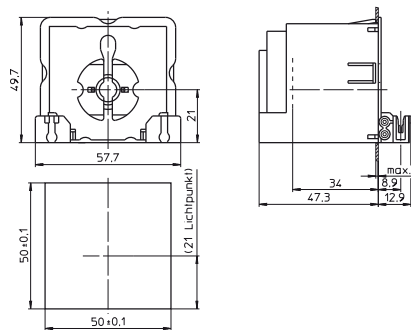
Ref. No.: 101785



Endbox with integrated G13 lampholder

For recessed luminaires in modular ceilings
Casing: PC, white, rotor: PBT GF, white, T130
Nominal rating: 2/500, for lamps T8 and T12
Push-in terminals: 0.5–0.75 mm², single-core
For the automatic luminaire wiring:
IDC terminals for leads H05V-U 0.5
Clip fixing for wall thickness up to 1 mm
Weight: 20.8 g, unit: 200 pcs.
Type: 48300

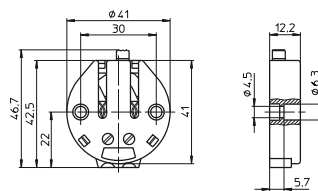
Ref. No.: 109487



G13 built-in lampholder with lamp lock

For lamps T8 and T12
Contacts on both sides
Casing: PBT GF, white, T130
Nominal rating: 2/500
Screw terminals: 0.5–2.5 mm²
Fixing holes for screws M3
Weight: 12.9 g, unit: 500 pcs.
Type: 46100

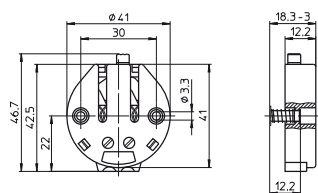
Ref. No.: 101643



G13 built-in lampholder with lamp lock

For lamps T8 and T12
Contacts on both sides
Casing: PBT GF, white, T130
Nominal rating: 2/500
Screw terminals: 0.5–2.5 mm²
Fixing holes for screws M3
Weight: 18 g, unit: 500 pcs.
Type: 46101 with spring adjustment

Ref. No.: 101647



G13 built-in lampholders for lamps T8 and T12

Casing: PC, white, T110

Nominal rating: 2/500

Screw terminals: 0.5–2.5 mm²

Fixing holes for screws M3

5 rotation stops

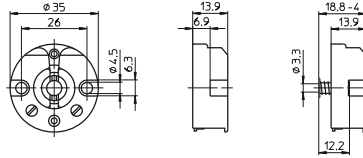
Weight: 9/10.6 g, unit: 1000 pcs.

Type: 48500

Ref. No.: 101787

Type: 48501 with spring adjustment

Ref. No.: 101789



G13 built-in lampholder for lamps T8 and T12

Contacts on both sides

Casing: PBT GF, white, T130

Nominal rating: 2/500

Screw terminals: 0.5–2.5 mm²

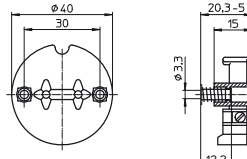
Fixing holes for screws M3

Front pin insertion

Weight: 14 g, unit: 500 pcs.

Type: 49401 with spring adjustment

Ref. No.: 101812



G13 Surface-mounted Lampholders

For fluorescent lamps T8 (T26), T12 (T38)

Pin support for reliable contact

(except for type 048 and 485)

Max. permitted temperature T_m

on the rear side of the lampholder: 110 °C

G13 surface-mounted lampholder for lamps T8 and T12

Lamp axis: 25.5 mm

Casing: PC, white, rotor: PBT GF, white, T130

Nominal rating: 2/500

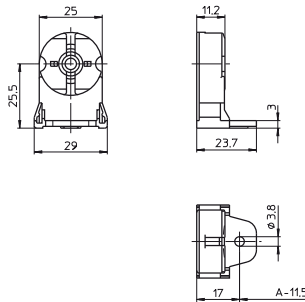
Push-in twin terminals: 0.5–1 mm²

Fixing hole: \varnothing 3.8 mm

Weight: 7.2 g, unit: 500 pcs.

Type: 27722

Ref. No.: 100572



G13 surface-mounted lampholder for lamps T8 and T12

With starter attachment

Lamp axis: 25.5 mm

Casing: PC, white, rotor: PBT GF, white, T130

Nominal rating: 2/500

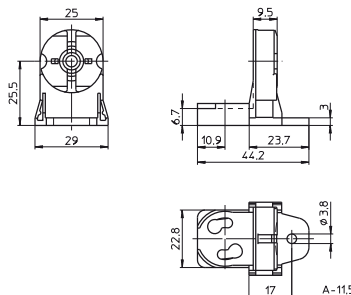
Push-in twin terminals: 0.5–1 mm²

Fixing hole: \varnothing 3.8 mm

Weight: 9.5 g, unit: 500 pcs.

Type: 27822

Ref. No.: 100583



G13 surface-mounted lampholder for lamps T8

Lamp axis: 17 mm

Casing: PC, white, rotor: PBT GF, white, T130

Nominal rating: 2/250

Push-in twin terminals: 0.5–1 mm²

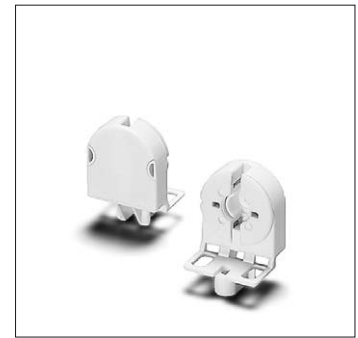
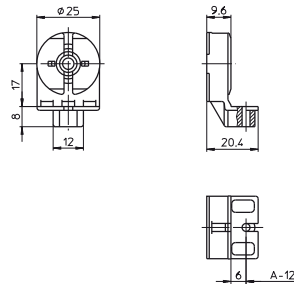
Fixing hole for self-tapping screws

acc. to ISO 1481/7049-ST3.5-C/F

Weight: 5.4 g, unit: 1000 pcs.

Type: 27356

Ref. No.: 100551



G13 surface-mounted lampholder for lamps T8 and T12

Lamp axis: 50 mm

Casing: PBT GF, white, cover cap: PC, white

T110, nominal rating: 2/250

Push-in twin terminals: 0.5–1 mm²

Bracket: zinc-coated polished steel

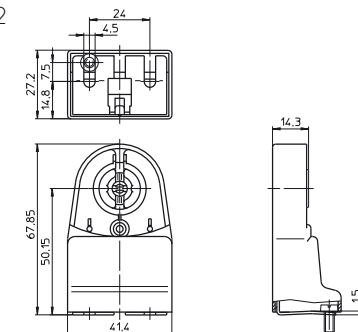
Fixing slots for screws M4

5 rotation stops

Weight: 45.5 g, unit: 500 pcs.

Type: 04801

Ref. No.: 106546



G13 surface-mounted lampholder for lamps T8 and T12

With starter attachment, lamp axis: 50 mm

Casing: PBT GF, white, cover cap: PC, white

T110, nominal rating: 2/250

Push-in terminals: 0.5–1 mm²

Bracket: zinc-coated polished steel

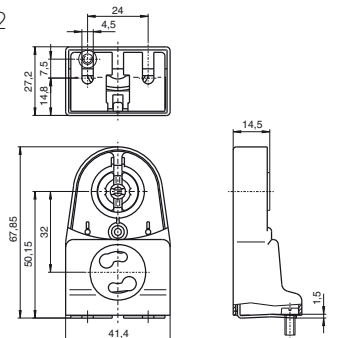
Fixing slots for screws M4

5 rotation stops

Weight: 45 g, unit: 500 pcs.

Type: 04800

Ref. No.: 106544



G13 surface-mounted lampholder with lamp lock

For lamps T8 and T12, lamp axis: 25 mm

Contacts on both sides

Casing: PBT GF, white, T130

Screw terminals: 0.5–2.5 mm²

Nominal rating: 2/500

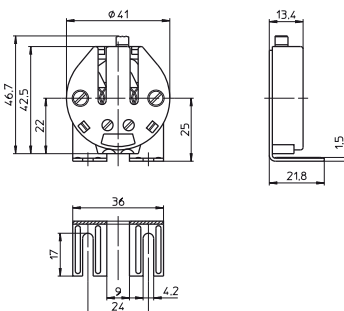
Bracket: zinc-coated polished steel

Fixing slots for screws M4

Weight: 35 g, unit: 500 pcs.

Type: 46102

Ref. No.: 101651



G13 surface-mounted lampholder with lamp lock

For lamps T8 and T12, lamp axis: 25 mm

Contacts on both sides

Casing: PBT GF, white, T130

Screw terminals: 0.5–2.5 mm²

Nominal rating: 2/500

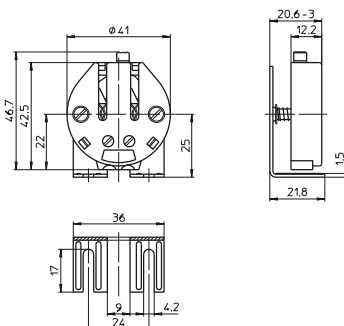
Bracket: zinc-coated polished steel

Fixing slots for screws M4

Weight: 36 g, unit: 500 pcs.

Type: 46103 with spring adjustment

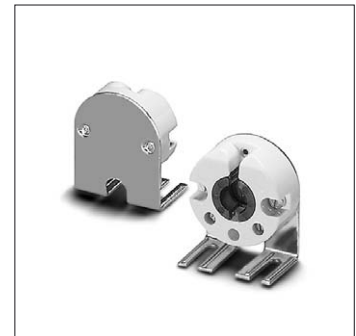
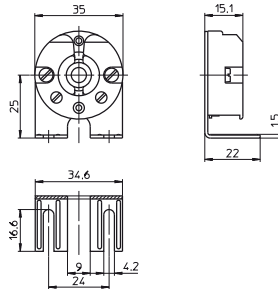
Ref. No.: 101655



G13 surface-mounted lampholder for lamps T8 and T12

Lamp axis: 25 mm
 Casing: PC, white, T110
 Nominal rating: 2/500
 Screw terminals: 0.5–2.5 mm²
 Bracket: zinc-coated polished steel
 Fixing slots for screws M4
 5 rotation stops
 Weight: 26 g, unit: 500 pcs.
 Type: 48502

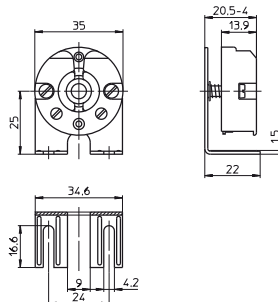
Ref. No.: 101791



G13 surface-mounted lampholder for lamps T8 and T12

Lamp axis: 25 mm
 Casing: PC, white, T110
 Nominal rating: 2/500
 Screw terminals: 0.5–2.5 mm²
 Bracket: zinc-coated polished steel
 Fixing slots for screws M4
 5 rotation stops
 Weight: 28.1 g, unit: 500 pcs.
 Type: 48503 with spring adjustment

Ref. No.: 101793



Accessories

For lampholders for fluorescent lamps T8 (T26), T12 (T38)

The luminaire manufacturer is responsible for the right choice of accessories.

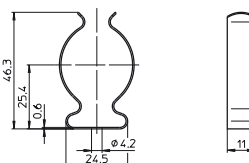
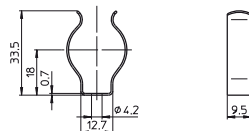
Lamp supports

Fixing hole for screw M4
 Weight: 4.3/6.8 g, unit: 500 pcs.
 Type: 20400 for lamps T8

Ref. No.: 100442 material: zinc-coated polished steel

Type: 20401 for lamps T12

Ref. No.: 100444 material: CrNi-steel



Lamp supports

Material: PC, crystal-clear
 Fixing hole for screw M4
 Weight: 2/4.1 g, unit: 1000 pcs.
 Type: 20501/20500

Ref. No.: 100448 for lamps T8

Ref. No.: 100447 for lamps T12

