

# ➤ **POWER LINE**

▶ Zaštićena instalacija



↑  
Zaštićena instalacija  
sa vrhunskim estetskim vrednostima  
↓

Protected installation  
with top aesthetic values



**POWER LINE**

Protected installation








**Označavanje boja prednjih elemenata**

Mogućnosti kombinacija više boja date su dvocifrenom šifrom proizvoda koja opisuje pojedine elemente:

- prva cifra - šifra boje kućišta
- druga cifra - šifra boje tastera sklopke ili poklopca priključnice

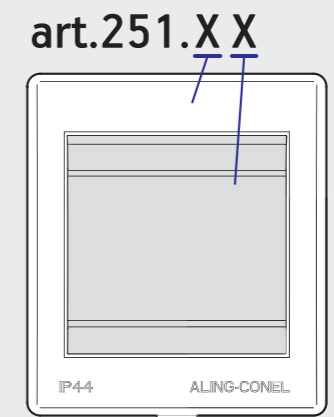
Standardno se izrađuju boje / The standard colours are

-  bela / white (RAL 9003),
-  siva / grey (RAL 7035),
-  antracit / anthracite (RAL 3004)

**Colour designation of front elements**

The possibility of combination of more colours is given by two-digit code of product describing the particular elements:

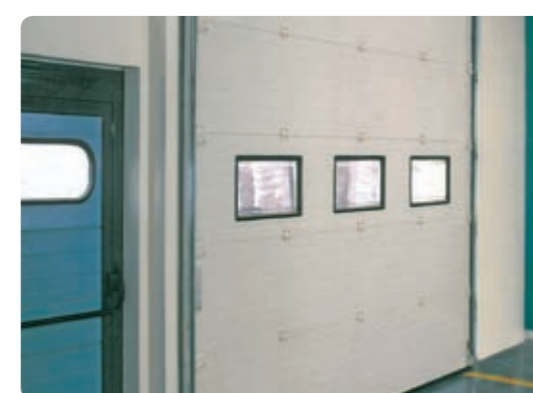
- first digit - code of housing colour
- second digit - code of switch button colour or socket cover



# < POWER LINE >

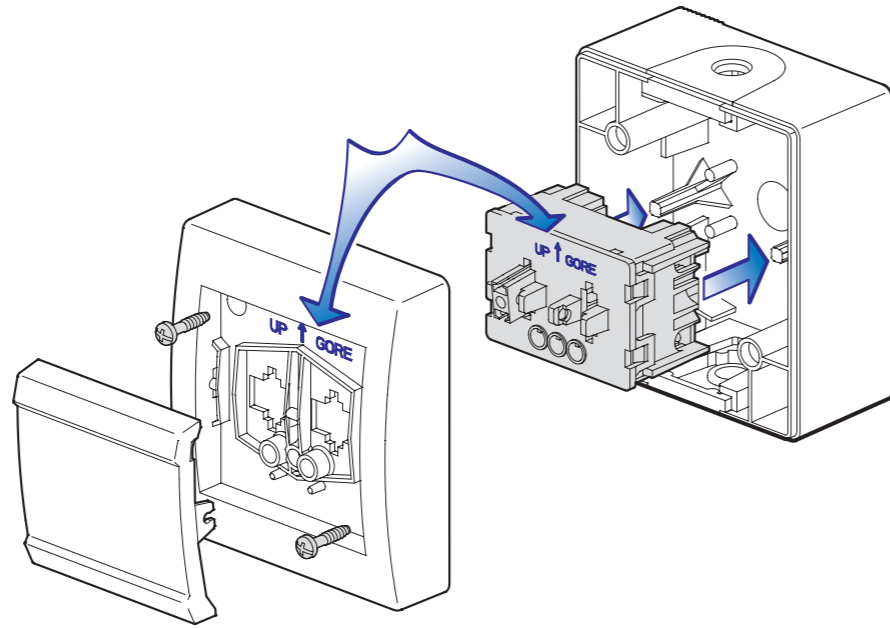
Sklopke i priključnice POWER predstavljaju idealno rešenje za izradu kućnih električnih instalacija sa stepenom zaštite IP 44 prema IEC 60529 . Izrađene su dopadljivo, sa ciljem da predstavljaju estetski deo enterijera, a da je njihova montaža i upotreba jednostavna. Kućišta i spoljni elementi izrađuju se u bojama kombinovanim od tri nijanse koje mogu zadovoljiti svačiji ukus i uklopiti se u sve enterijere.

POWER switches and sockets outlets represent an ideal solution for indoor electric installations with the protection degree IP 44 according to IEC 60529 . They are made attractively with the purpose to represent an aesthetic part of interior and to simplify their installation and use. The housing and external elements are made in colours composed of three shades that may satisfy everybody's taste and be fitted in all interiors.

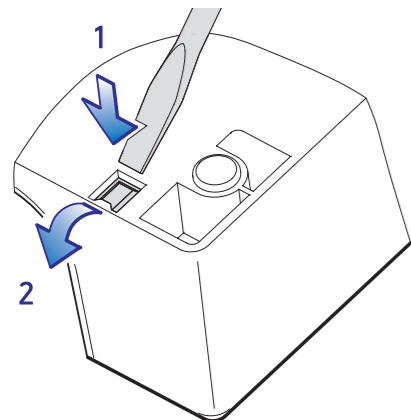




Sklopke na zid postavljamo jednostavnim pričvršćivanjem kutije sa dva vijka (prečnika 3,5 - 4 mm, mogu se koristiti bilo koji vijci u zavisnosti od podloge), standardnim provlačenjem kabla kroz uvodnicu i priključenjem provodnika. Sklopku postavimo na oslonce u kutiji i blok pričvrstimo pripadajućim vijcima. Da bi se obezbedio stepen zaštite IP 44 prilikom postavljanja tela sklopke i bloka vodimo računa o tome koju stranu okrenuti prema gore.



We install the wall mounted switches by simple fixing of the box by two screws (dia. 3,5-4 mm, any screws may be used depending on base), by standard cable pulling through the cable bushing and conductor connecting. We set up the switch onto the supports in the box and we fasten the block by relevant screws. When setting up the switch body and the block we take care which side to turn upwards in order to provide IP 44 degree of protection.

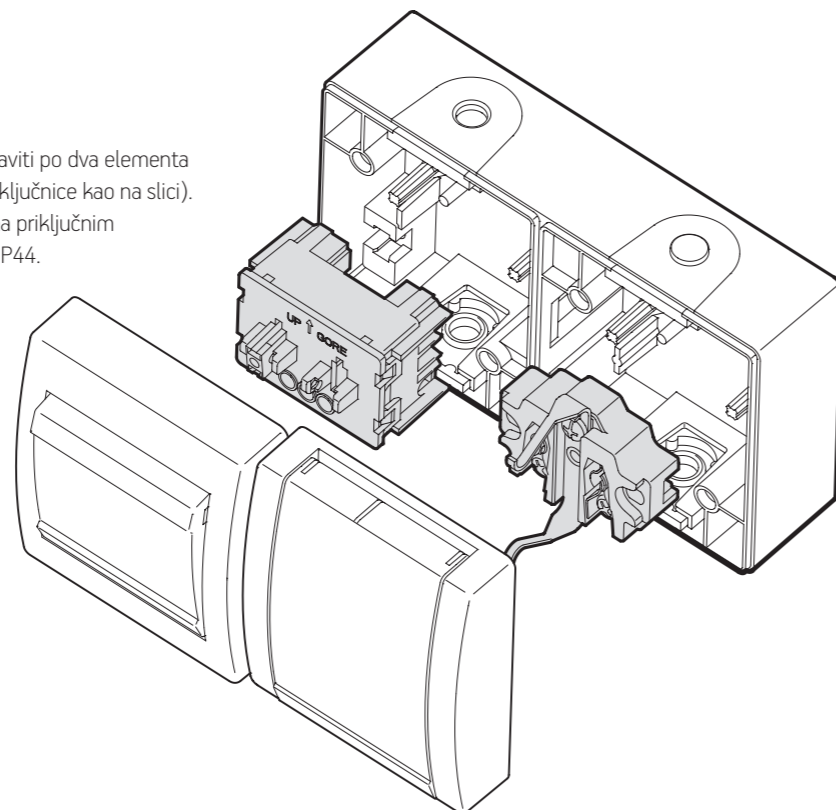


Ukoliko je kućište potrebno snabdeti otvorima za oticanje kondenzovane vlage ili vode koja je prodrla u unutrašnjost, dovoljno je izvijačem snažno pritisnuti na oslabljena mesta na dnu kutije (1), a zatim otkloniti polomljeni deo (2).

If the housing is to be provided with holes for discharging of condensed moisture or water penetrated inside, it is sufficient to press strongly to the weakened points on box bottom (1) by using the screwdriver and then to remove the broken part (2).

Korišćenjem dvostruke kutije može se u isto kućište postaviti po dva elementa (dve sklopke, dve priključnice ili kombinacija sklopke i priključnice kao na slici). Moguće je i uvođenje samo jednog kabla uz prespajanje na priključnim stezaljakama uz zadržavanje zahtevanog stepena zaštite IP44.

By using double box it is possible to arrange two elements (two switches, two sockets outlets or the combination of switch and socket outlet as shown in the figure) into the same housing. It is also possible to lead-in only one cable with over-splicing on connecting clamps by maintaining the required degree of protection IP44.



> **SKLOPKE 10A i 16A**

> **10 and 16A SWITCHES**

▶ **Sklopka jednopolna za na zid IP 44 10AX/250V~**

- Usaglašeno sa IEC 60669-1,
- Ugradnja na zid pomoću vijaka prečnika do 4 mm

art. **251.00** bela  
art. **251.1A** siva sa antracit tasterom

▶ **Wall mounted single-pole switch IP 44 10AX/250V~**

- Complied with IEC 60669-1,
- Wall mounting by screws dia. to 4 mm

art. **251.00** white  
art. **251.1A** grey with anthracite button



▶ **Sklopka serijska za na zid IP 44 10AX/250V~**

- Usaglašeno sa IEC 60669-1,
- Ugradnja na zid pomoću vijaka prečnika do 4 mm

art. **252.00** bela  
art. **252.1A** siva sa antracit tasterom

▶ **Wall mounted serial switch IP 44 10AX/250V~**

- Complied with IEC 60669-1,
- Wall mounting by screws dia. to 4 mm

art. **252.00** white  
art. **252.1A** grey with anthracite button



▶ **Sklopka naizmenična za na zid IP 44 10AX/250V~**

- Usaglašeno sa IEC 60669-1,
- Ugradnja na zid pomoću vijaka prečnika do 4 mm

art. **253.00** bela  
art. **253.1A** siva sa antracit tasterom

▶ **Wall mounted alternative switch IP 44 10AX/250V~**

- Complied with IEC 60669-1,
- Wall mounting by screws dia. to 4 mm

art. **253.00** white  
art. **253.1A** grey with anthracite button



▶ **Sklopka ukrсна za na zid IP 44 10AX/250V~**

- Usaglašeno sa IEC 60669-1,
- Ugradnja na zid pomoću vijaka prečnika do 4 mm

art. **254.00** bela  
art. **254.1A** siva sa antracit tasterom

▶ **Wall mounted cross-switch IP 44 10AX/250V~**

- Complied with IEC 60669-1,
- Wall mounting by screws dia. to 4 mm

art. **254.00** white  
art. **254.1A** grey with anthracite button



▶ **Taster sklopka za svetlo za na zid IP 44 10AX/250V~**

- Usaglašeno sa IEC 60669-1,
- Ugradnja na zid pomoću vijaka prečnika do 4 mm

art. **255.00** bela  
art. **255.1A** siva sa antracit tasterom

▶ **Wall mounted light push-button switch IP 44 10AX/250V~**

- Complied with IEC 60669-1,
- Wall mounting by screws dia. to 4 mm

art. **255.00** white  
art. **255.1A** grey with anthracite button



## > POWER LINE

### Nova Dimenzija Kvaliteta

## > SKLOPKE 10A i 16A

## > 10 and 16A SWITCHES

### Taster sklopka za svetlo sa indikacijom za na zid IP 44 10AX/250V~

- Usaglašeno sa IEC 60669-1,
- Ugradnja na zid pomoću vijaka prečnika do 4 mm,
- Indikacija svetli kada je sklopka isključena

art. **2551.00** bela  
art. **2551.1A** siva sa antracit tasterom

### Wall mounted light push-button switch with indication IP 44 10AX/250V~

- Complied with IEC 60669-1,
- Wall mounting by screws dia. to 4 mm
- Indication turns on when the switch is off

art. **2551.00** white  
art. **2551.1A** grey with anthracite button



### Sklopka serijska sa indikacijom za na zid IP 44 10AX/250V~

- Usaglašeno sa IEC 60669-1,
- Ugradnja na zid pomoću vijaka prečnika do 4 mm,
- Indikacija svetli kada je sklopka isključena

art. **2521.00** bela  
art. **2521.1A** siva sa antracit tasterom

### Wall mounted serial switch with indication IP 44 10AX/250V~

- Complied with IEC 60669-1,
- Wall mounting by screws dia. to 4 mm
- Indication turns on when the switch is off

art. **2551.00** white  
art. **2551.1A** grey with anthracite button



### Taster sklopka za zvono za na zid IP 44 10AX/250V~

- Usaglašeno sa IEC 60669-1,
- Ugradnja na zid pomoću vijaka prečnika do 4 mm

art. **256.00** bela  
art. **256.1A** siva sa antracit tasterom

### Wall mounted bell push-button switch IP 44 10AX/250V~

- Complied with IEC 60669-1,
- Wall mounting by screws dia. to 4 mm

art. **256.00** white  
art. **256.1A** grey with anthracite button



### Sklopka naizmenična sa indikacijom za na zid IP 44 10AX/250V~

- Usaglašeno sa IEC 60669-1,
- Ugradnja na zid pomoću vijaka prečnika do 4 mm,
- Indikacija svetli kada je strujno kolo otvoreno

art. **2531.00** bela  
art. **2531.1A** siva sa antracit tasterom

### Wall mounted alternative switch with indication IP 44 10AX/250V~

- Complied with IEC 60669-1,
- Wall mounting by screws dia. to 4 mm
- Indication turns on when the circuit is open

art. **2531.00** white  
art. **2531.1A** grey with anthracite button



### Taster sklopka za zvono sa indikacijom za na zid IP 44 10AX/250V~

- Usaglašeno sa IEC 60669-1,
- Ugradnja na zid pomoću vijaka prečnika do 4 mm,
- Indikacija svetli kada je sklopka isključena

art. **2561.00** bela  
art. **2561.1A** siva sa antracit tasterom

### Wall mounted bell push-button switch with indication IP 44 10AX/250V~

- Complied with IEC 60669-1,
- Wall mounting by screws dia. to 4 mm
- Indication turns on when the switch is off

art. **2561.00** white  
art. **2561.1A** grey with anthracite button



### Sklopka ukrсна sa indikacijom za na zid IP 44 10AX/250V~

- Usaglašeno sa IEC 60669-1,
- Ugradnja na zid pomoću vijaka prečnika do 4 mm,
- Indikacija svetli kada je strujno kolo otvoreno

art. **2541.00** bela  
art. **2541.1A** siva sa antracit tasterom

### Wall mounted cross-switch with indication IP 44 10AX/250V~

- Complied with IEC 60669-1,
- Wall mounting by screws dia. to 4 mm
- Indication turns on when the circuit is open

art. **2541.00** white  
art. **2541.1A** grey with anthracite button



### Taster sklopka za roletne za na zid IP 44 10AX/250V~

- Usaglašeno sa IEC 60669-1,
- Ugradnja na zid pomoću vijaka prečnika do 4 mm,
- Dve taster sklopke za direktno pokretanje elektromotora za dizanje i spuštanje roletni,
- Blokada mogućnosti uključanja kretanja istovremeno u oba smera

art. **257.00** bela  
art. **257.1A** siva sa antracit tasterom

### Wall mounted rolling shutters switch IP 44 10AX/250V~

- Complied with IEC 60669-1,
- Wall mounting by screws dia. to 4 mm
- Two push-button switches for direct activation of rolling shutters lifting and lowering electric motor
- Locking of movement switching-in possibilities simultaneously in both directions

art. **257.00** white  
art. **257.1A** grey with anthracite button



### Sklopka jednopolna sa indikacijom za na zid IP 44 16AX/250V~

- Usaglašeno sa IEC 60669-1,
- Ugradnja na zid pomoću vijaka prečnika do 4 mm,
- Indikacija svetli kada je sklopka isključena

art. **259.00** bela  
art. **259.1A** siva sa antracit tasterom

### Wall mounted single-pole switch with indication IP 44 16AX/250V~

- Complied with IEC 60669-1,
- Wall mounting by screws dia. to 4 mm
- Indication turns on when the switch is off

art. **259.00** white  
art. **259.1A** grey with anthracite button



### Sklopka jednopolna sa indikacijom za na zid IP 44 10AX/250V~

- Usaglašeno sa IEC 60669-1,
- Ugradnja na zid pomoću vijaka prečnika do 4 mm,
- Indikacija svetli kada je sklopka isključena

art. **2511.00** bela  
art. **2511.1A** siva sa antracit tasterom

### Wall mounted single-pole switch with indication IP 44 10AX/250V~

- Complied with IEC 60669-1,
- Wall mounting by screws dia. to 4 mm
- Indication turns on when the switch is off

art. **2511.00** white  
art. **2511.1A** grey with anthracite button



### Sklopka jednopolna indikatorska za na zid IP 44 16AX/250V~

- Usaglašeno sa IEC 60669-1,
- Ugradnja na zid pomoću vijaka prečnika do 4 mm,
- Indikacija svetli kada je sklopka uključena

art. **2591.00** bela  
art. **2591.1A** siva sa antracit tasterom

### Wall mounted single-pole switch with indication IP 44 16AX/250V~

- Complied with IEC 60669-1,
- Wall mounting by screws dia. to 4 mm
- Indication turns on when the switch is on

art. **2591.00** white  
art. **2591.1A** grey with anthracite button





## > POWER LINE

Nova Dimenzija Kvaliteta

### Priključnica dvopolna za na zid IP 44 16A/250V~ sa porcelanskim jezgrom

- Usaglašeno sa IEC 60884-1,
- Ugradnja na zid pomoću vijaka prečnika do 4 mm

art. **241.00** bela  
art. **241.1A** siva sa antracit poklopcem

### Wall mounted double-pole socket outlet IP 44 16A/250V~ with porcelain insert

- Complied with IEC 60884-1,
- Wall mounting by screws dia. to 4 mm

art. **241.00** white  
art. **241.1A** grey with anthracite cover



## > PRIKLJUČNICE

## > SOCKET OUTLETS

### Priključnica dvopolna za na zid IP 44 16A/250V~ sa polikarbon. jezgrom - Francuski standard

- Usaglašeno sa IEC 60884-1, NF C 61-314
- Ugradnja na zid pomoću vijaka prečnika do 4 mm

art. **2451.00** bela  
art. **2451.1A** siva sa antracit poklopcem

### Wall mounted double-pole socket outlet IP 44 16A/250V~ with polycarbonate insert - French standard

- Complied with IEC 60884-1, NF C 61-314,
- Wall mounting by screws dia. to 4 mm

art. **2451.00** white  
art. **2451.1A** grey with anthracite cover



### Priključnica dvopolna za na zid IP 44 16A/250V~ sa polikarbonatskim jezgrom

- Usaglašeno sa IEC 60884-1,
- Ugradnja na zid pomoću vijaka prečnika do 4 mm

art. **2411.00** bela  
art. **2411.1A** siva sa antracit poklopcem

### Wall mounted double-pole socket outlet IP 44 16A/250V~ with polycarbonate insert

- Complied with IEC 60884-1,
- Wall mounting by screws dia. to 4 mm

art. **2411.00** white  
art. **2411.1A** grey with anthracite cover



### Priključnica dvopolna dvostruka za na zid IP 44 16A/250V~ sa polikarbon. jezgrom - Francuski standard

- Usaglašeno sa IEC 60884-1, NF C 61-314
- Ugradnja na zid pomoću vijaka prečnika do 4 mm

art. **2452.00** bela  
art. **2452.1A** siva sa antracit poklopcem  
art. **2452P.00** bela sa premoštenim kontaktima  
art. **2452P.1A** siva sa antracit poklopcem i premoštenim kontaktima

### Wall mounted twofold double-pole socket outlet IP 44 16A/250V~ with polycarbonate insert - French standard

- Complied with IEC 60884-1, NF C 61-314,
- Wall mounting by screws dia. to 4 mm

art. **2452.00** white  
art. **2452.1A** grey with anthracite cover  
art. **2452P.00** white with bridged contacts  
art. **2452P.1A** grey with anthracite cover and bridged contacts



### Priključ. dvostruka dvopolna za na zid IP 44 16A/250V~ sa porcelanskim jezgrom

- Usaglašeno sa IEC 60884-1,
- Ugradnja na zid pomoću vijaka prečnika do 4 mm

art. **242.00** bela  
art. **242.1A** siva sa antracit poklopcem  
art. **242P.00** bela sa premoštenim kontaktima  
art. **242P.1A** siva sa antracit poklopcem i premoštenim kontaktima

### Wall mounted twofold double-pole socket outlet IP 44 16A/250V~ porcelain insert

- Complied with IEC 60884-1,
- Wall mounting by screws dia. to 4 mm

art. **242.00** white  
art. **242.1A** grey with anthracite cover  
art. **242P.00** white with bridged contacts  
art. **242P.1A** grey with anthracite cover and bridged contacts



### Priključ. dvostruka dvopolna za na zid IP 44 16A/250V~ sa polikarbonatskim jezgrom

- Usaglašeno sa IEC 60884-1,
- Ugradnja na zid pomoću vijaka prečnika do 4 mm

art. **2412.00** bela  
art. **2412.1A** siva sa antracit poklopcem  
art. **2412P.00** bela sa premoštenim kontaktima  
art. **2412P.1A** siva sa antracit poklopcem i premoštenim kontaktima

### Wall mounted double-pole socket outlet IP 44 16A/250V~ with polycarbonate insert

- Complied with IEC 60884-1,
- Wall mounting by screws dia. to 4 mm

art. **2412.00** white  
art. **2412.1A** grey with anthracite cover  
art. **2412P.00** white with bridged contacts  
art. **2412P.1A** grey with anthracite cover and bridged contacts



### Priključnica trolejna za na zid IP 44 16A/440V~ sa porcelanskim jezgrom

- Usaglašeno sa IEC 60884-1,
- Ugradnja na zid pomoću vijaka prečnika do 4 mm

art. **243.00** bela  
art. **243.1A** siva sa antracit poklopcem

### Wall mounted tripolar socket outlet IP 44 16A/440V~ with porcelain insert

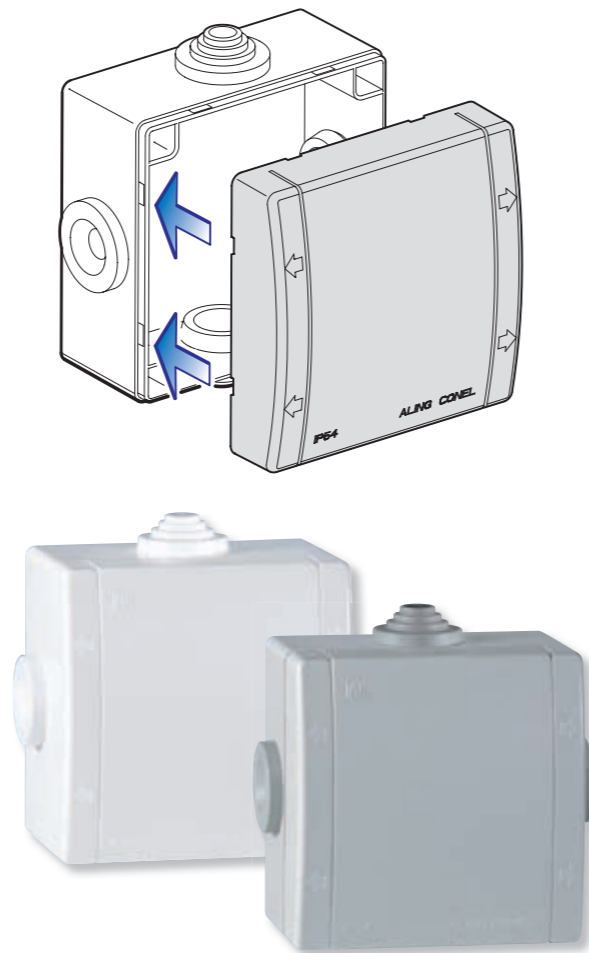
- Complied with IEC 60884-1,
- Wall mounting by screws dia. to 4 mm

art. **243.00** white  
art. **243.1A** grey with anthracite cover



Razvodna kutija je izrađena tako da se poklopac postavlja bez upotrebe vijaka. Postavljamo ga veoma brzo jednostavnim natiskivanjem na kutiju, a skidamo zakačivanjem izvijačem na strelicama označenim mestima.

The junction box is so made that the cover can be put on it without any screws. It can be put by very quick and simple pressing onto the box and removed by screwdriver hitched on the points designated by arrows.



**Kutija razvodna sa 3 uvida za na zid 80x80 IP 54 500V**

- Usaglašeno sa IEC 60670-1,
- Ugradnja na zid pomoću vijaka prečnika do 4 mm,
- Uvodnice za kablove do Ø14 mm

art. **261.0** bela  
art. **261.1** siva

**Wall mounted junction box with 3 cable glands 80x80 IP 54 500V**

- Complied with IEC 60670-1,
- Wall mounting by screws dia. to 4 mm
- Cable bushings to Ø14 mm

art. **261.0** white  
art. **261.1** grey

**Kutija razvodna sa 4 uvida za na zid 80x80 IP 54 500V**

- Usaglašeno sa IEC 60670-1,
- Ugradnja na zid pomoću vijaka prečnika do 4 mm,
- Uvodnice za kablove do Ø14 mm

art. **262.0** bela  
art. **262.1** siva

**Wall mounted junction box with 4 cable glands 80x80 IP 54 500V**

- Complied with IEC 60670-1,
- Wall mounting by screws dia. to 4 mm
- Cable bushings to Ø14 mm

art. **262.0** white  
art. **262.1** grey



**Kutija razvodna sa 6 uvida za na zid 80x80 IP 54 500V**

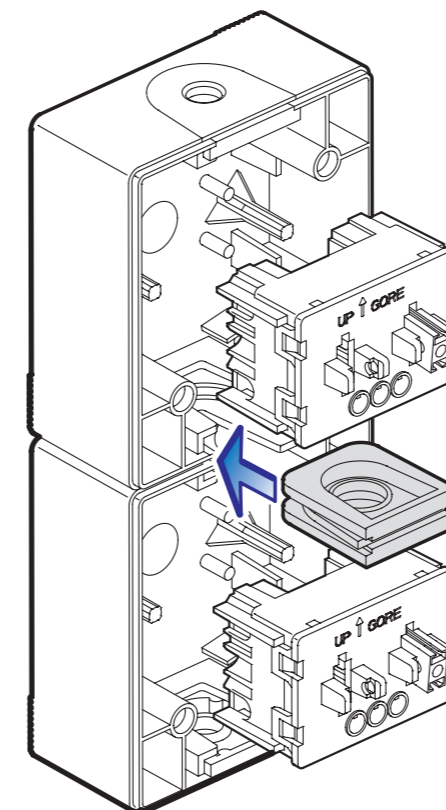
- Usaglašeno sa IEC 60670-1,
- Ugradnja na zid pomoću vijaka prečnika do 4 mm,
- Uvodnice za kablove do Ø14 mm

art. **263.0** bela  
art. **263.1** siva

**Wall mounted junction box with 6 cable glands 80x80 IP 54 500V**

- Complied with IEC 60670-1,
- Wall mounting by screws dia. to 4 mm
- Cable bushings to Ø14 mm

art. **263.0** white  
art. **263.1** grey



Elemente možemo spojiti u zajedničko kućište vertikalnim nizanjem. Jednostruke i dvostruke kutije spajamo pomoću duplih uvodnica koje se posebno isporučuju.

We may connect the elements into the common housing by vertical stringing. Single or double boxes we combine with double bushing which is separately supplied.

**Uvodnica dupla za vertikalno spajanje kutija**

- Za obezbeđenje potrebnog stepena zaštite na mestu spajanja dve kutije,
- Obezbeđuje tačan međusobni položaj kutija

art. **2423.0** bela  
art. **2423.1** siva

**Double cable gland for vertical connection of boxes**

- To provide the required degree of protection at the connection point of two boxes
- Ensures the correct inter-position of boxes

art. **2423.0** white  
art. **2423.1** grey



**Kutija dvostruka za montažu sklopki i priključnica**

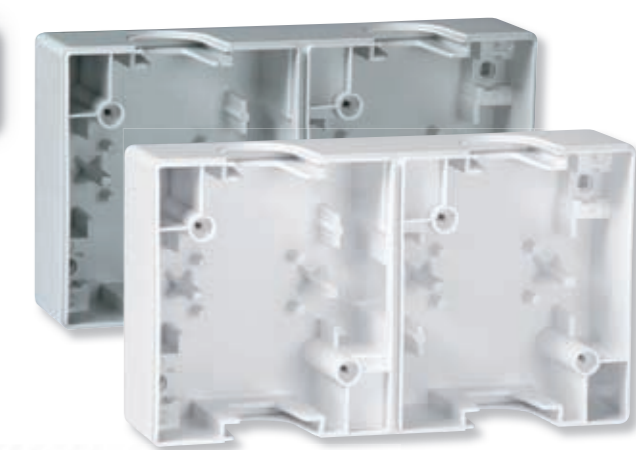
- Usaglašeno sa IEC 60670-1,
- Ugradnja na zid pomoću vijaka prečnika do 4 mm,
- Omogućeno unutrašnje prespajanje provodnika bez narušavanja stepena zaštite

art. **2422.0** bela  
art. **2422.1** siva

**Double box for installation of switches and sockets outlets**

- Complied with IEC 60670-1,
- Wall mounting by screws dia. to 4 mm
- Internal over-splicing of conductors possible without interruption of protection degree.

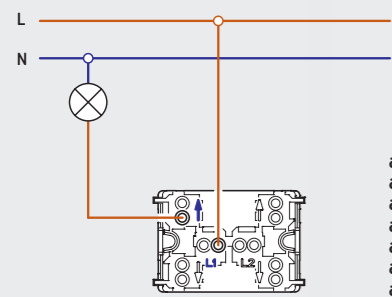
art. **2422.0** white  
art. **2422.1** grey



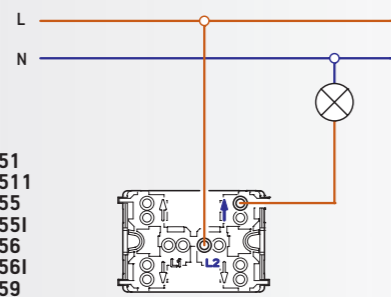


▶ Šeme vezivanja sklopki

▶ Wiring diagrams for switches

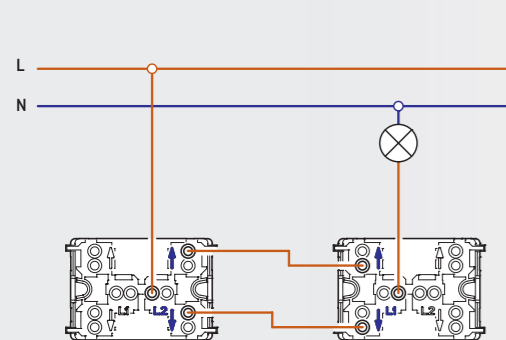


art.251  
art.2511  
art.255  
art.2551  
art.256  
art.2561  
art.259

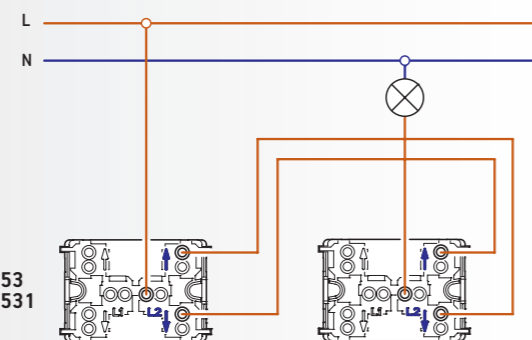


Jednopolne sklopke imaju dve izvedbe sklapanja (leva i desna) i u skladu s tim se povezuju priključni provodnici.

Single-pole switches are supplied in two wiring executions (left and right) and the conductors are connected accordingly.

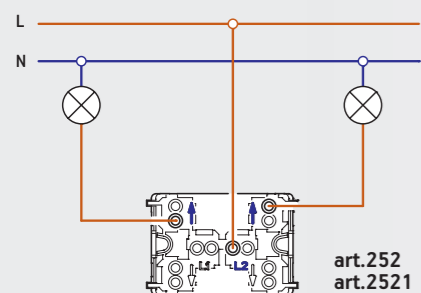


art.253  
art.2531



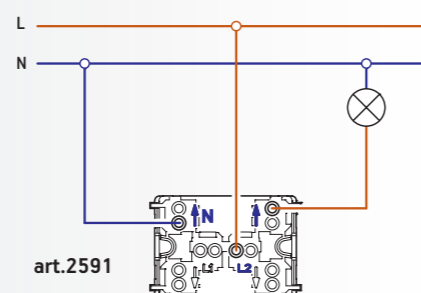
Naizmernične sklopke se takođe izrađuju u dve izvedbe sklapanja (leva i desna)

Alternative switches are also supplied in two wiring executions (left and right).



art.252  
art.2521

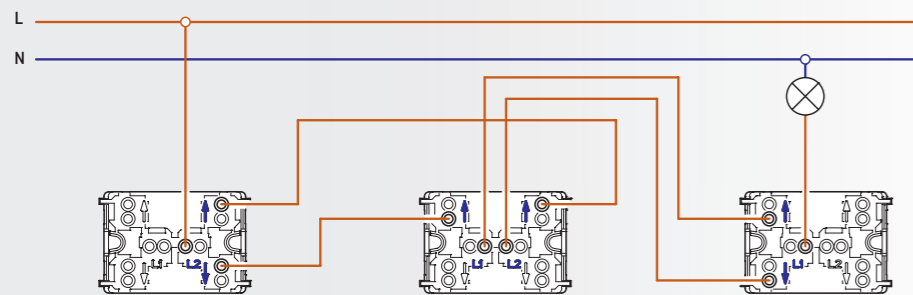
Vezivanje serijske sklopke  
Wiring of serial switch.



art.2591

Jednopolne indikatorske sklopke (indikacija svetli kada je sklopka uključena) za povezivanje zahtevaju nulti provodnik.

Single-pole indication switches (indication turns on when the switch is on) require neutral conductor to be wired.

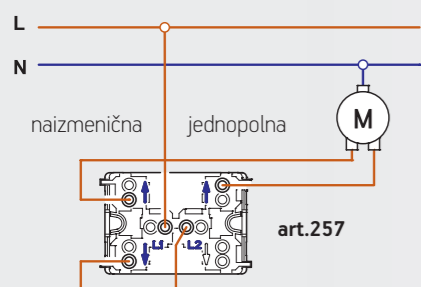


art.253  
art.2531

art.254  
art.2541

Ukrsnu sklopku povezujemo u kombinaciji sa naizmerničnim sklopkama. Može se povezati neograničen broj ukrasnih sklopki u kombinaciji sa dve naizmernične.

Cross-switch is wired in combination with alternative switches. The unlimited number of cross-switches may be wired in combination with two alternative switches.



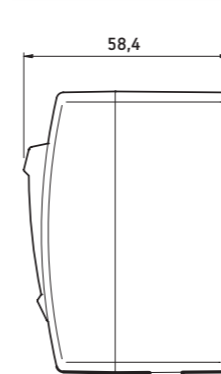
art.257

Taster sklopke za roletne povezujemo prema šemi koja obezbeđuje da elektromotor za pokretanje ne može istovremeno dobiti napajanje za kretanje dole i gore. Granični prekidači za zaustavljanje u gornjem ili donjem položaju su obavezni radi zaštite mehanizma.

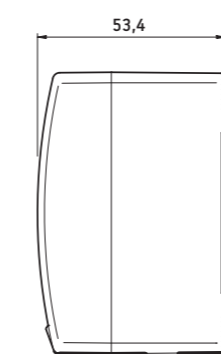
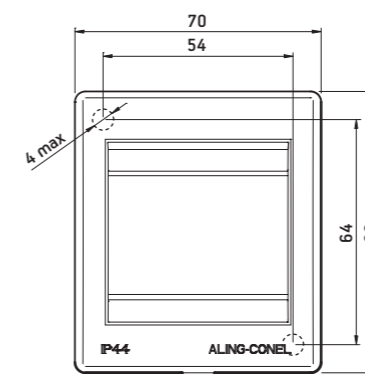
Push-button switches for rolling shutters are wired according to wiring diagram which secures that the electric motor for their movement is not simultaneously power supplied for up and down movement. The limit switches for their stopping in upper and lower positions are a MUST for protecting the mechanism.

▶ DIMENZIJE ZA UGRADNJU (sa rasporedom otvora za pričvršćivanje)

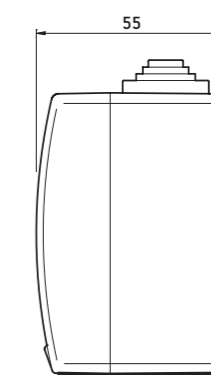
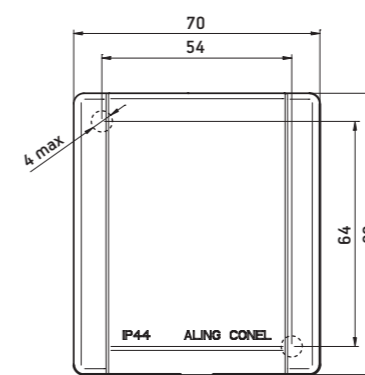
▶ INSTALLATION DIMENSIONS (with the lay out of fixing holes)



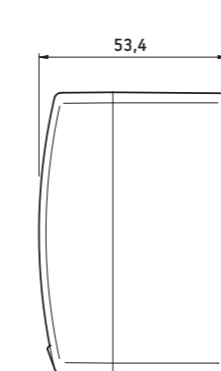
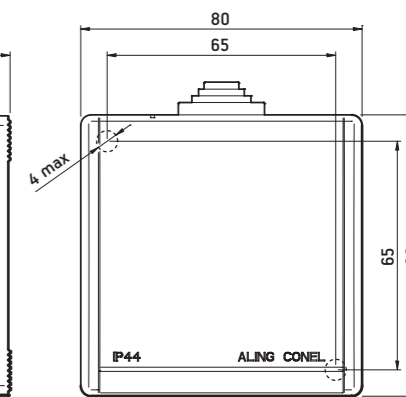
Sklopke  
Switches



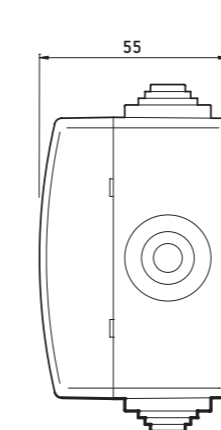
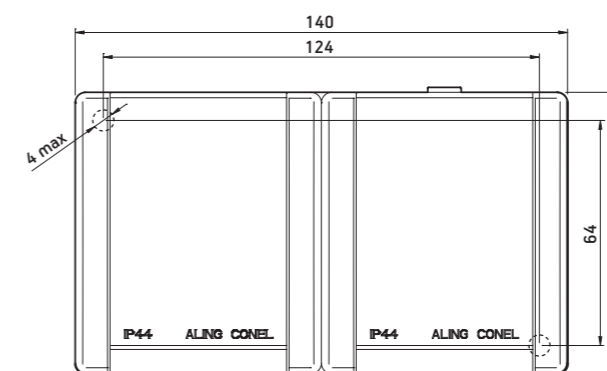
Priključnice dvopolne  
Two-pole plug boxes



Priključnica tropolna  
Three-pole socket outlet



Priključnica dvostruka  
Double socket outlet



Razvodna kutija  
Junction box

