

▶ Sklopka jednopolna bez tastera 16AX/250V~

- Usaglašeno sa IEC 60669-1,
- Ugradnja u noseću prirubnicu utiskivanjem,

art. **6851**
art. **PP6851** zbirno pakovanje 10 kom

Single-pole switch without button 16AX/250V~

- Complied with IEC 60669-1
- Installation into the holding flange by pressing

art. **6851**
art. **PP6851** collective packing 10 pcs.



▶ Sklopka naizmenična bez tastera 16AX/250V~

- Usaglašeno sa IEC 60669-1,
- Ugradnja u noseću prirubnicu utiskivanjem,

art. **6871**
art. **PP6871** zbirno pakovanje 10 kom

Alternative switch without button 16AX/250V~

- Complied with IEC 60669-1
- Installation into the holding flange by pressing

art. **6871**
art. **PP6871** collective packing 10 pcs.



▶ Sklopka jednopolna indikatorska bez tastera 16AX/250V~

- Usaglašeno sa IEC 60669-1,
- Ugradnja u noseću prirubnicu utiskivanjem,
- Indikacija svetli kada je sklopka uključena

art. **6691**
art. **PP6691** zbirno pakovanje 10 kom

Single-pole switch with indication without button 16AX/250V~

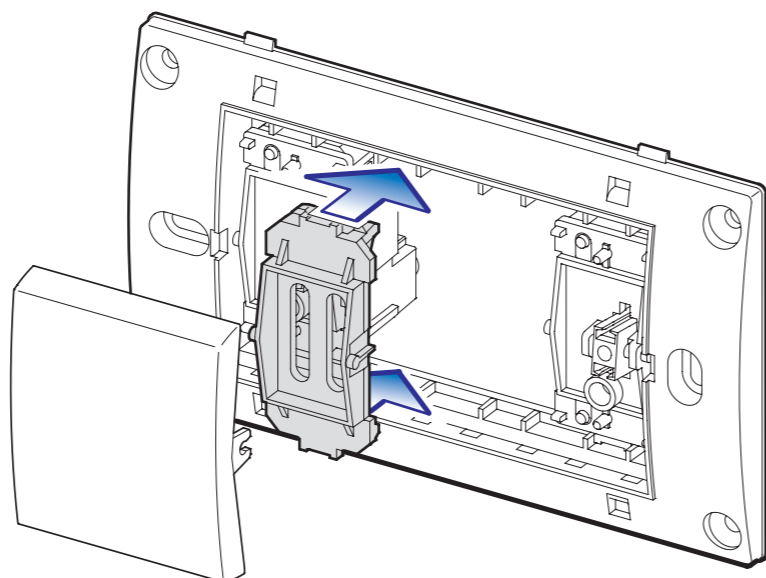
- Complied with IEC 60669-1
- Installation into the holding flange by pressing
- Indication turns on when the switch is on

art. **6691**
art. **PP6691** collective packing 10 pcs.



Dupli tasteri se mogu postavljati na sklopke širine modula 22,2 mm uz korišćenje posebnog nosača koji se isporučuje uz taster. Nosač se u prirubnicu postavi pored sklopke, a taster na sklopku i nosač zajedno. Kod tastera sa indikacijom voditi računa o položaju sklopke i nosača tako da otvor za indikaciju dođe iznad tinjalice na sklopki.

Two-gang switch buttons can be placed on to the 22,2 mm width switches using specific holder supplied with button. Holder should be placed close to switch, and button on the switch and holder together. For buttons with indication it is necessary to place holder and switch properly in order to indicating hole were above the indicating katheron.



▶ Regulator jačine svetlosti 40-300VA, 230V~/50Hz

- Za sijalice sa užarenim vlaknom i halogene sijalice sa standardnim transformatorom 230V~ 40-300W,
- Za halogene sijalice sa standardnim transformatorom 40-300VA,
- Usaglašeno sa IEC 60669-2-1,
- Ugradnja u noseću prirubnicu utiskivanjem,
- Indikacija

art. **667.0** beli
art. **667.A** antracit

Dimmer 40-300VA, 230V~/50Hz

- For the incadescent lamps and halogen lamps with standard transformer 230V~ 40-300W,
- For halogen lamps with standard transformer 40-300VA,
- Complied with IEC 60669-2-1
- Installation into the holding flange by pressing
- Indication

atr. **667.0** white
art. **667.A** anthracite



▶ Regulator jačine svetlosti sa naizmeničnom sklopkom 40-300VA, 230V~/50Hz

- Za sijalice sa užarenim vlaknom i halogene sijalice sa standardnim transformatorom 230V~ 40-300W,
- Za halogene sijalice sa standardnim transformatorom 40-300VA,
- Usaglašeno sa IEC 60669-2-1,
- Ugradnja u noseću prirubnicu utiskivanjem,
- Indikacija

art. **6671.0** beli
art. **6671.A** antracit

Dimmer with alternative switch 40-300VA, 230V~/50Hz

- For the incadescent lamps and halogen lamps with standard transformer 230V~ 40-300W,
- For halogen lamps with standard transformer 40-300VA,
- Complied with IEC 60669-2-1
- Installation into the holding flange by pressing
- Indication

atr. **6671.0** white
art. **6671.A** anthracite



▶ Regulator jačine svetlosti za induktivno opterećenje 40-300VA, 230V~/50Hz

- Za sijalice sa užarenim vlaknom i halogene sijalice 230V~ 40-500W,
- Za halogene sijalice sa standardnim transformatorom 40-300VA,
- Za halogene sijalice sa elektronskim transformatorom 40-200VA,
- Usaglašeno sa IEC 60669-2-1,
- Ugradnja na noseću prirubnicu utiskivanjem,
- Indikacija uključenosti

art. **6672.0** beli
art. **6672.A** antracit

Dimmer for inductive load 40-300VA, 230V~/50Hz

- For incadescent lamps and halogen lamps 230V~ 40-500W,
- For halogen lamps with standard transformer 40-300VA,
- For halogen lamps with electronic transformer 40-200VA,
- Complied with IEC 60669-2-1,
- Installation into the holding flange by pressing,
- Indication

art. **6672.0** white
art. **6672.A** anthracite



▶ Regulator jačine svetlosti sa rotacijom sklopkom 800W, 230V~/50Hz

- Za sijalice sa užarenim vlaknom i halogene sijalice 230V~ 40-800W,
- Za halogene sijalice sa standardnim transformatorom 40-400VA,
- Usaglašeno sa IEC 60669-2-1,
- Ugradnja u noseću prirubnicu utiskivanjem,
- Indikacija uključenosti

art. **6681.0** beli
art. **6681.A** antracit

Dimmer with rotary switch 800W, 230V~/50Hz

- For the incadescent lamps and halogen lamps 230V~ 40-800W,
- For halogen lamps with standard transformer 40-400VA
- Complied with IEC 60669-2-1
- Installation into the holding flange by pressing
- Indication of being on

atr. **6681.0** white
art. **6681.A** anthracite

