

Printview: 2-conductor through terminal block; 35 mm²; lateral marker slots; only for DIN 35 x 15 rail; 2.3 mm thick; copper; POWER CAGE CLAMP - Item No.: 285-135



2-conductor through terminal block; 35 mm²; lateral marker slots; only for DIN 35 x 15 rail; 2.3 mm thick; copper; POWER CAGE CLAMP

Item No.: 285-135



2-conductor through terminal block; 35 mm²; lateral marker slots; only for DIN 35 x 15 rail; 2.3 mm thick; copper; POWER CAGE CLAMP

Marking

RoHS ✓
Compliant

Business data

Supplier	WAGO
Item no.	285-135
GTIN / EAN	4045454507381
Content	1
Order amount	15
Customer item number	

Notes

Technical data

Miscellaneous

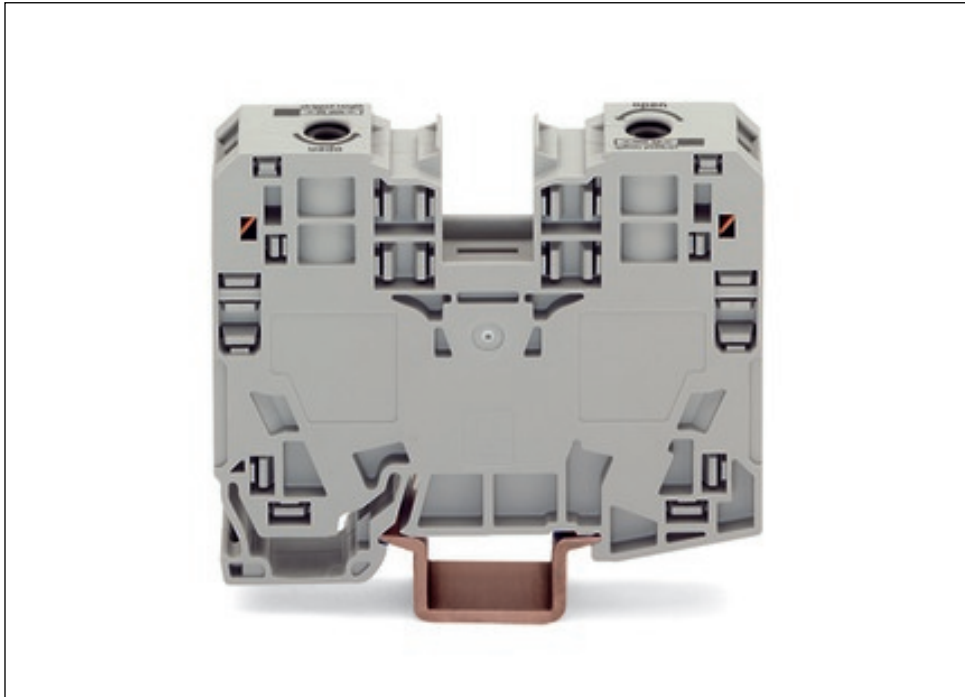
Safety information 1	sively on DIN-35 x 15 rail
Ratings per	IEC/EN 60947-7-1
Rated voltage (III / 3) [V]	1000 [V]
Rated impulse voltage (III / 3) [kV]	8 [kV]
Rated current [A]	125 [A]

Printview: 2-conductor through terminal block; 35 mm²; lateral marker slots; only for DIN 35 x 15 rail; 2.3 mm thick; copper; POWER CAGE CLAMP - Item No.: 285-135

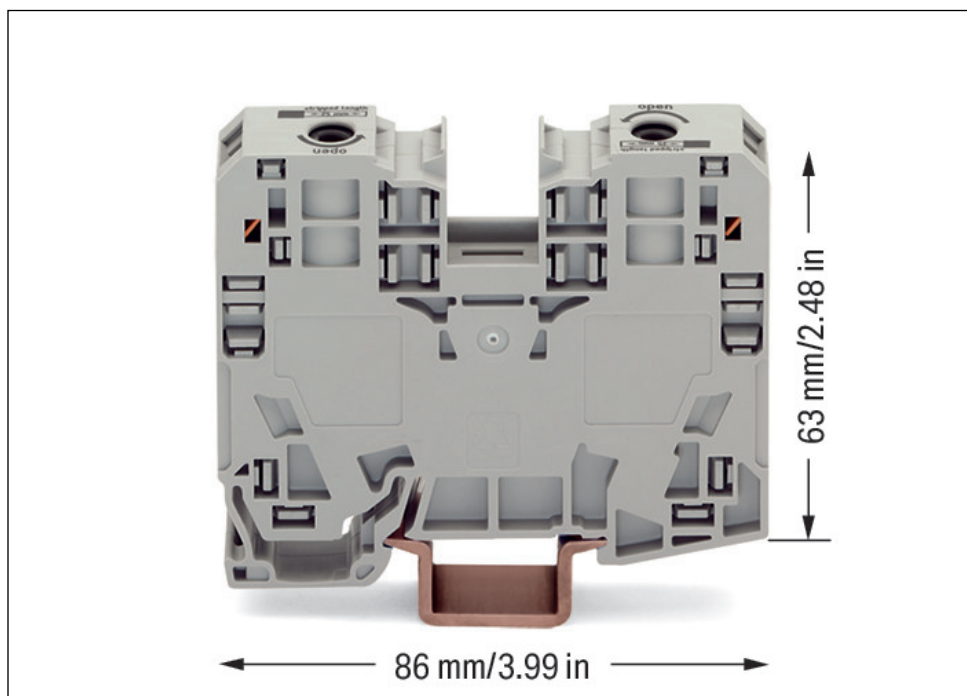
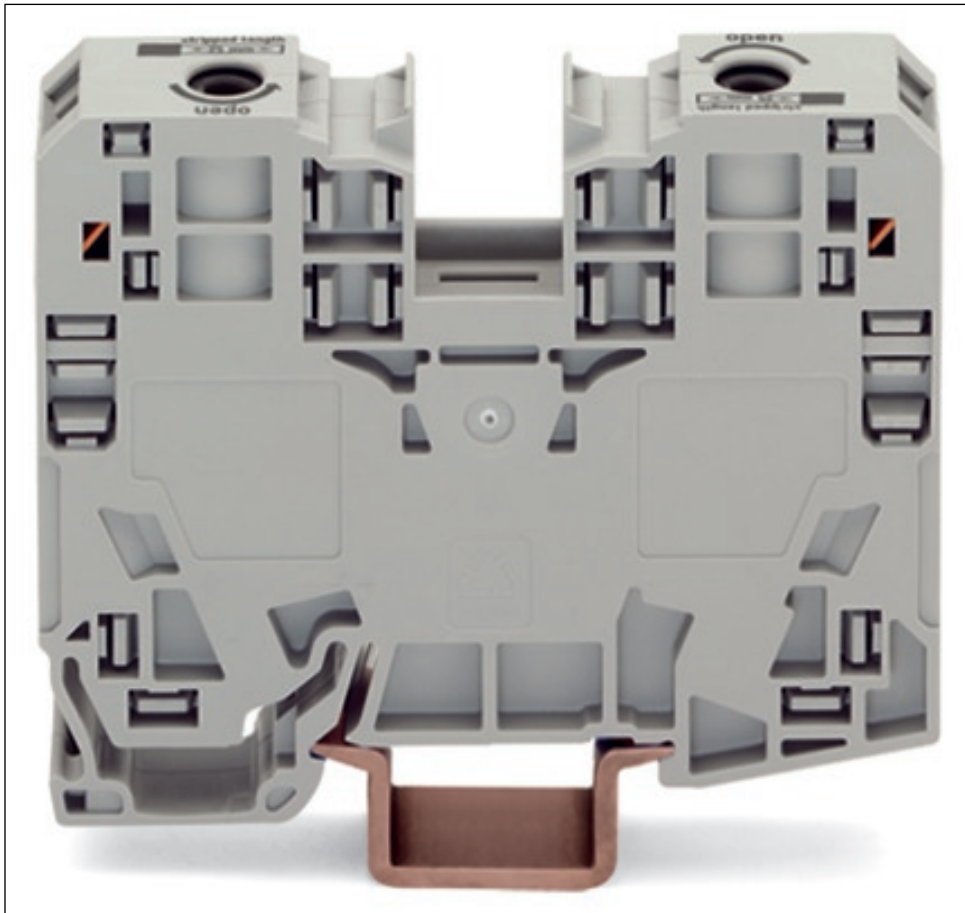
Technical data	
<i>Legend (ratings)</i>	<i>(III / 3) Overvoltage category III / Pollution degree 3</i>
<i>Connection technology</i>	<i>POWER CAGE CLAMP</i>
<i>Actuation type</i>	<i>Operating tool</i>
<i>Connectable conductor materials</i>	<i>Copper</i>
<i>Solid conductor</i>	<i>6 ... 35 mm² / 10 ... 2 AWG</i>
<i>Fine-stranded conductor</i>	<i>6 ... 35 mm² / 10 ... 2 AWG</i>
<i>Strip length</i>	<i>25 mm / 0.98 Inch</i>
<i>Total number of connection points</i>	<i>2</i>
<i>Total number of potentials</i>	<i>1</i>
<i>Number of levels</i>	<i>1</i>
<i>Type of wiring</i>	<i>Side-entry wiring</i>
<i>Width</i>	<i>16 mm / 0.63 Inch</i>
<i>Height from upper-edge of DIN-35 rail</i>	<i>63 mm / 2.48 Inch</i>
<i>Depth</i>	<i>86 mm / 3.386 Inch</i>
<i>Design</i>	<i>horizontal</i>
<i>Type of mounting</i>	<i>Carrier rail 35 x 15</i>
<i>Marking level</i>	<i>Side marking</i>
<i>Color</i>	<i>gray</i>
<i>Insulating material</i>	<i>Polyamide 66 (PA 66)</i>
<i>Fire load [MJ]</i>	<i>1.246 [MJ]</i>
<i>Weight [g]</i>	<i>79.349 [g]</i>
<i>Packaging type</i>	<i>BOX</i>
<i>Product Family</i>	<i>POWER CAGE CLAMP</i>
<i>Main product function</i>	<i>Through term. block</i>
<i>Product type</i>	<i>High-current terminal blocks</i>

Printview: 2-conductor through terminal block; 35 mm²; lateral marker slots; only for DIN 35 x 15 rail; 2.3 mm thick; copper; POWER CAGE CLAMP - Item No.: 285-135

Images & drawings



Printview: 2-conductor through terminal block; 35 mm²; lateral marker slots; only for DIN 35 x 15 rail; 2.3 mm thick; copper; POWER CAGE CLAMP - Item No.: 285-135



Printview: 2-conductor through terminal block; 35 mm²; lateral marker slots; only for DIN 35 x 15 rail; 2.3 mm thick; copper; POWER CAGE CLAMP - Item No.: 285-135

Address

WAGO Kontakttechnik GmbH & Co. KG

Hansastr. 27

32423 Minden

Telefon: 0571/887-0

Fax: 0571/887-169

<http://www.wago.com>

© WAGO Kontakttechnik GmbH & Co. KG

Technische Änderungen und Irrtümer vorbehalten.