



Mounting carrier; for single- and double-row con.

Item No.: 2273-500



Mounting carrier; for single- and double-row con.

Marking

RoHS ✓
Compliant

Business data

Supplier	WAGO
Item no.	2273-500
GTIN / EAN	4050821101871
Content	1
Order amount	10
Customer item number	

Notes

Technical data

Miscellaneous

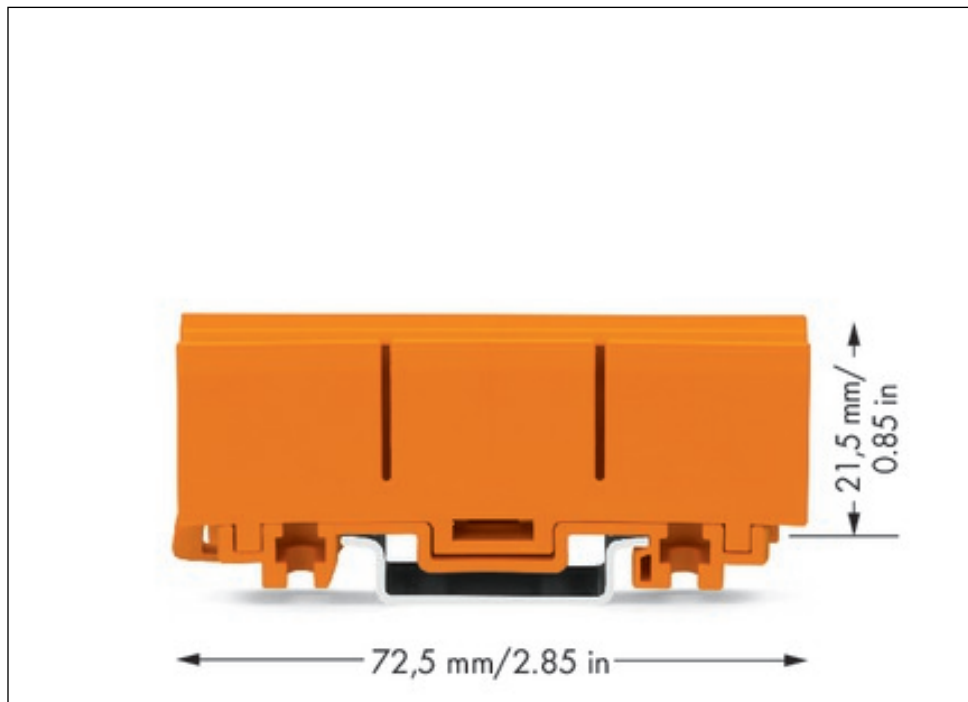
Width	18.5 mm / 0.728 Inch
Height from upper-edge of DIN-35 rail	21.5 mm / 0.846 Inch
Depth	72.5 mm / 2.854 Inch
Color	orange
Fire load [MJ]	0.322 [MJ]
Weight [g]	10.74 [g]

Technical data

<i>Packaging type</i>	<i>BOX</i>
<i>Main product function</i>	<i>Mounting Accessories</i>
<i>Product type</i>	<i>Accessories</i>

Images & drawings





Address

WAGO Kontakttechnik GmbH & Co. KG

Hansastr. 27

32423 Minden

Telefon: 0571/887-0

Fax: 0571/887-169

<http://www.wago.com>

© WAGO Kontakttechnik GmbH & Co. KG

Technische Änderungen und Irrtümer vorbehalten.