



## COMPACT PUSH WIRE® connector for junction boxes; 5-conductor terminal block; transparent housing; yellow cover

Item No.: 2273-205



COMPACT PUSH WIRE® connector for junction boxes; 5-conductor terminal block; transparent housing; yellow cover

### Marking

RoHS ✓  
Compliant

### Business data

Supplier	WAGO
Item no.	2273-205
GTIN / EAN	4050821027874
Content	1
Order amount	100
Customer item number	

### Notes

### Technical data

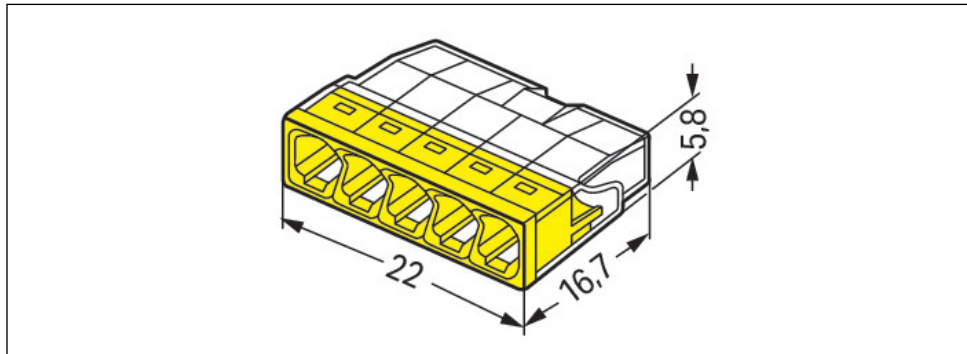
#### Miscellaneous

Safety information 1	In grounded power lines
Ratings per	IEC/EN 60664-1
Rated voltage (II / 2) [V]	450 [V]
Rated impulse voltage (II / 2) [kV]	4 [kV]
Rated current [A]	24 [A]

<b>Technical data</b>	
<i>Legend (ratings)</i>	<i>(II / 2) Overvoltage category II / Pollution degree 2</i>
<i>Connection technology</i>	<i>PUSH WIRE®</i>
<i>Actuation type</i>	<i>Push-in</i>
<i>Connectable conductor materials</i>	<i>Copper</i>
<i>Solid conductor</i>	<i>0.5 ... 2.5 mm<sup>2</sup> / 18 ... 14 AWG</i>
<i>Strip length</i>	<i>11 mm / 0.43 Inch</i>
<i>Total number of connection points</i>	<i>5</i>
<i>Total number of potentials</i>	<i>1</i>
<i>Type of wiring</i>	<i>Side-entry wiring</i>
<i>Width</i>	<i>22 mm / 0.866 Inch</i>
<i>Height</i>	<i>5.8 mm / 0.228 Inch</i>
<i>Depth</i>	<i>16.7 mm / 0.657 Inch</i>
<i>Color</i>	<i>yellow</i>
<i>Cover color</i>	<i>yellow</i>
<i>Flammability class per UL94</i>	<i>V2</i>
<i>Fire load [MJ]</i>	<i>0.03 [MJ]</i>
<i>Weight [g]</i>	<i>1.581 [g]</i>
<i>Surrounding air temperature (operation)</i>	<i>60 °C</i>
<i>Continuous operating temperature up to [°C]</i>	<i>105 [°C]</i>
<i>T-Marking per EN 60998</i>	<i>T60</i>
<i>Packaging type</i>	<i>BOX</i>
<i>Main product function</i>	<i>Push-in terminal block</i>
<i>Product type</i>	<i>Splicing connectors</i>

Images & drawings





#### Address

WAGO Kontakttechnik GmbH & Co. KG

Hansastr. 27

32423 Minden

Telefon: 0571/887-0

Fax: 0571/887-169

<http://www.wago.com>

© WAGO Kontakttechnik GmbH & Co. KG

Technische Änderungen und Irrtümer vorbehalten.