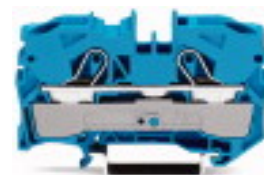




**2-conductor through terminal block; 10 mm<sup>2</sup>; for Ex e II and Ex i applications; side and center marking; for DIN-rail 35 x 15 and 35 x 7.5; Push-in CAGE CLAMP®**

Item No.: 2010-1204



2-conductor through terminal block; 10 mm<sup>2</sup>; for Ex e II and Ex i applications; side and center marking; for DIN-rail 35 x 15 and 35 x 7.5; Push-in CAGE CLAMP®

## Marking

RoHS ✓  
Compliant

## Business data

Supplier	WAGO
Item no.	2010-1204
GTIN / EAN	4017332076166
Content	1
Order amount	25
Customer item number	

## Notes

## Technical data

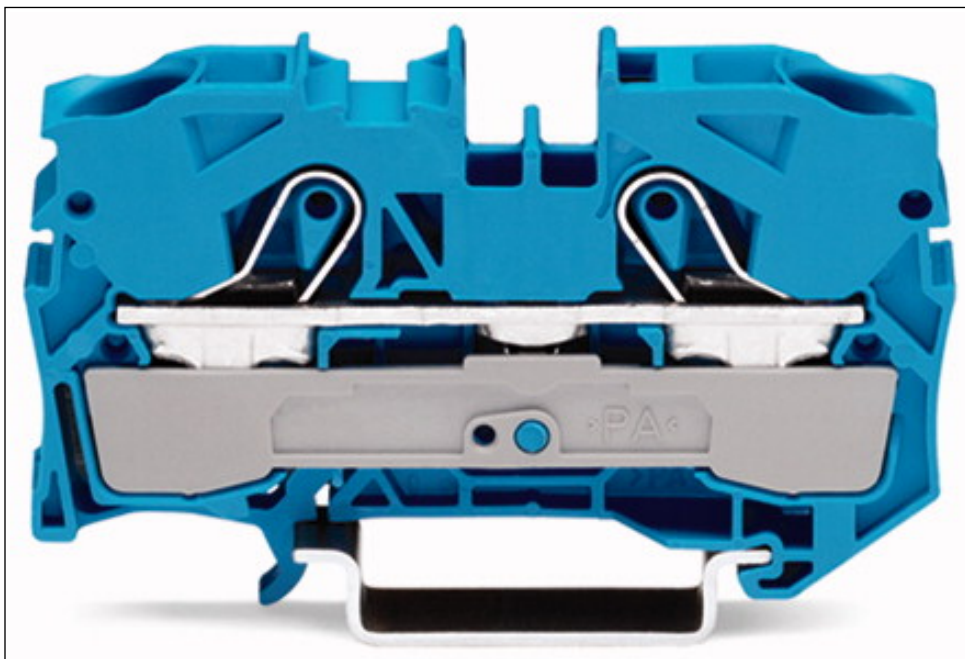
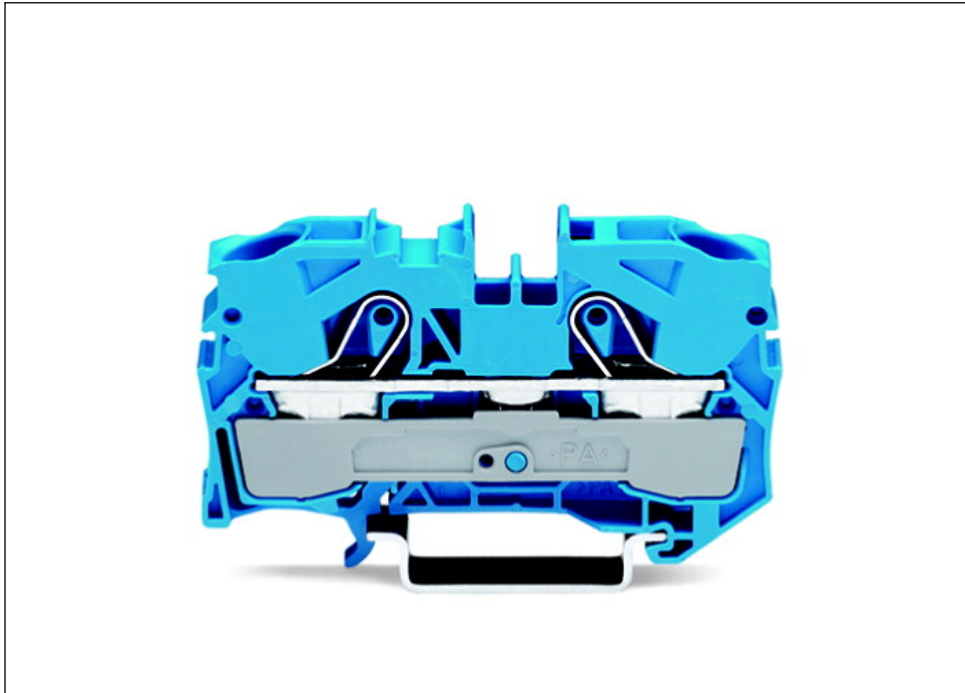
### Miscellaneous

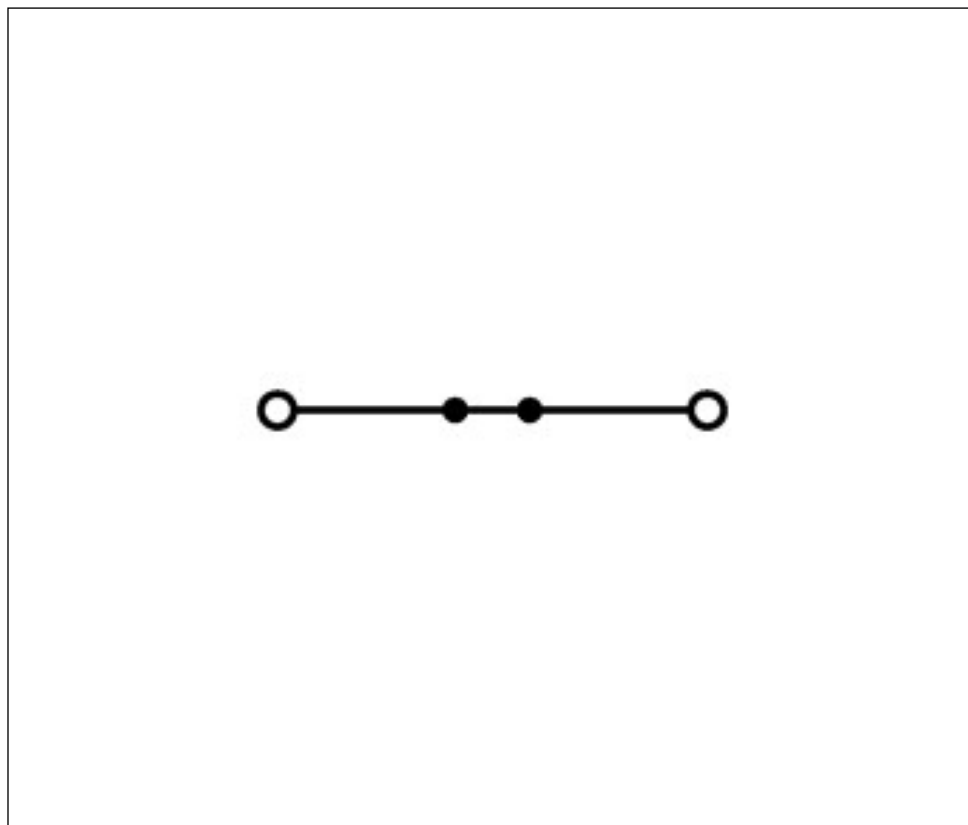
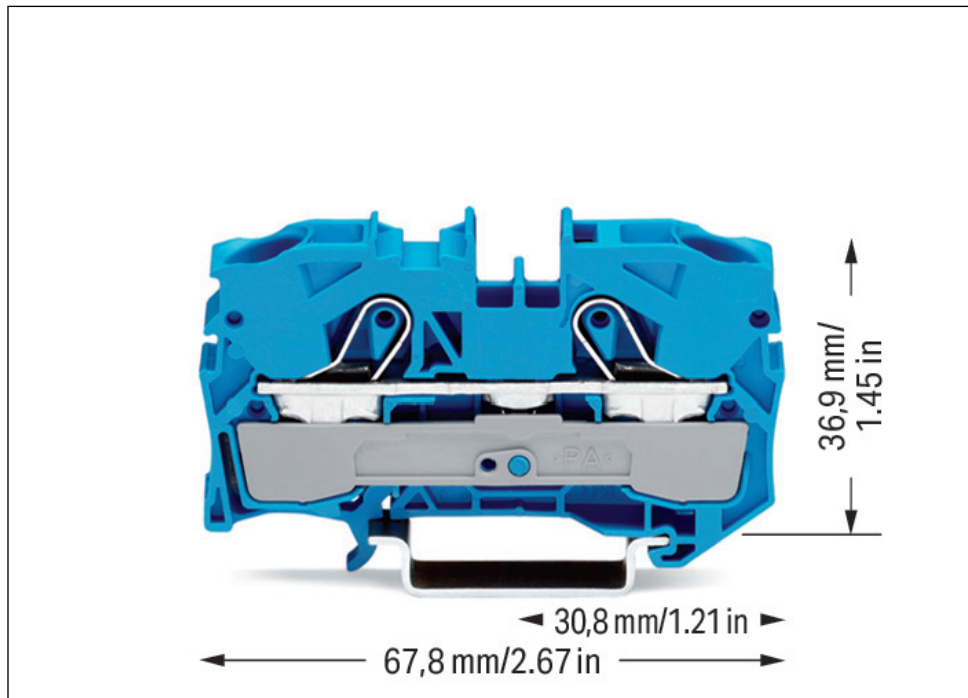
Ratings per	IEC/EN 60947-7-1
Rated voltage (III / 3) [V]	800 [V]
Rated impulse voltage (III / 3) [kV]	8 [kV]
Rated current [A]	57 [A]
Rated current (2) [A]	76 [A]

Printview: 2-conductor through terminal block; 10 mm<sup>2</sup>; for Ex e II and Ex i applications; side and center marking; for DIN-rail 35 x 15 and 35 x 7.5; Push-in CAGE CLAMP® - Item No.: 2010-1204

<b>Technical data</b>	
<i>Rated voltage EN (Ex e II) [V]</i>	<i>550 [V]</i>
<i>Rated current (Ex e II) [A]</i>	<i>51 [A]</i>
<i>Legend (ratings)</i>	<i>(III / 3) Overvoltage category III / Pollution degree 3</i>
<i>Connection technology</i>	<i>Push-in CAGE CLAMP®</i>
<i>Actuation type</i>	<i>Push-in</i>
<i>Connectable conductor materials</i>	<i>Copper</i>
<i>Nominal cross section</i>	<i>10 mm<sup>2</sup></i>
<i>Solid conductor</i>	<i>0.5 ... 16 mm<sup>2</sup> / 20 ... 6 AWG</i>
<i>Solid conductor, push-in termination</i>	<i>2.5 ... 16 mm<sup>2</sup> / 14 ... 6 AWG</i>
<i>Fine-stranded conductor</i>	<i>0.5 ... 16 mm<sup>2</sup> / 20 ... 6 AWG</i>
<i>Fine-stranded conductor with ferrule, push-in termination, f</i>	<i>2.5 mm<sup>2</sup> / 14 AWG</i>
<i>Strip length</i>	<i>17 ... 19 mm / 0.67 ... 0.75 Inch</i>
<i>Total number of connection points</i>	<i>2</i>
<i>Total number of potentials</i>	<i>1</i>
<i>Number of levels</i>	<i>1</i>
<i>Type of wiring</i>	<i>Front-entry wiring</i>
<i>Width</i>	<i>10 mm / 0.394 Inch</i>
<i>Height from upper-edge of DIN-35 rail</i>	<i>36.9 mm / 1.453 Inch</i>
<i>Depth</i>	<i>67.8 mm / 2.669 Inch</i>
<i>Design</i>	<i>horizontal</i>
<i>Type of mounting</i>	<i>Carrier rail 35 x 15</i>
<i>Marking level</i>	<i>Center/side marking</i>
<i>Color</i>	<i>blue</i>
<i>Insulating material</i>	<i>Polyamide 66 (PA 66)</i>
<i>Fire load [MJ]</i>	<i>0.279 [MJ]</i>
<i>Weight [g]</i>	<i>17.336 [g]</i>
<i>Packaging type</i>	<i>BOX</i>
<i>Product Family</i>	<i>TOPJOB® S</i>
<i>Main product function</i>	<i>Through term. block</i>
<i>Product type</i>	<i>Through rail-mount term. blocks</i>

Images & drawings





**Address**

WAGO Kontakttechnik GmbH & Co. KG

Hansastr. 27

32423 Minden

Telefon: 0571/887-0

Fax: 0571/887-169

<http://www.wago.com>

© WAGO Kontakttechnik GmbH & Co. KG

Technische Änderungen und Irrtümer vorbehalten.