

Printview: 2-conductor through terminal block; 2.5 mm²; suitable for Ex e II applications; side and center marking; for DIN-rail 35 x 15 and 35 x 7.5; Push-in CAGE CLAMP® - Item No.: 2002-1201



2-conductor through terminal block; 2.5 mm²; suitable for Ex e II applications; side and center marking; for DIN-rail 35 x 15 and 35 x 7.5; Push-in CAGE CLAMP®

Item No.: 2002-1201



2-conductor through terminal block; 2.5 mm²; suitable for Ex e II applications; side and center marking; for DIN-rail 35 x 15 and 35 x 7.5; Push-in CAGE CLAMP®

Marking

RoHS ✓
Compliant

Business data

Supplier	WAGO
Item no.	2002-1201
GTIN / EAN	4017332999168
Content	1
Order amount	100
Customer item number	

Notes

Technical data

Miscellaneous

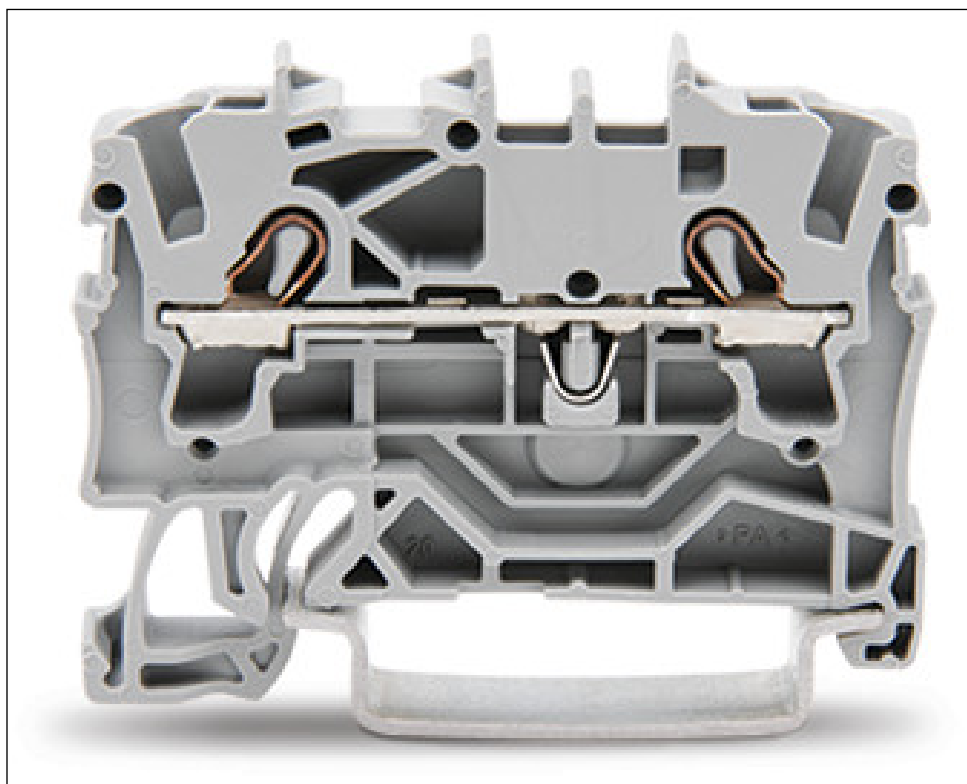
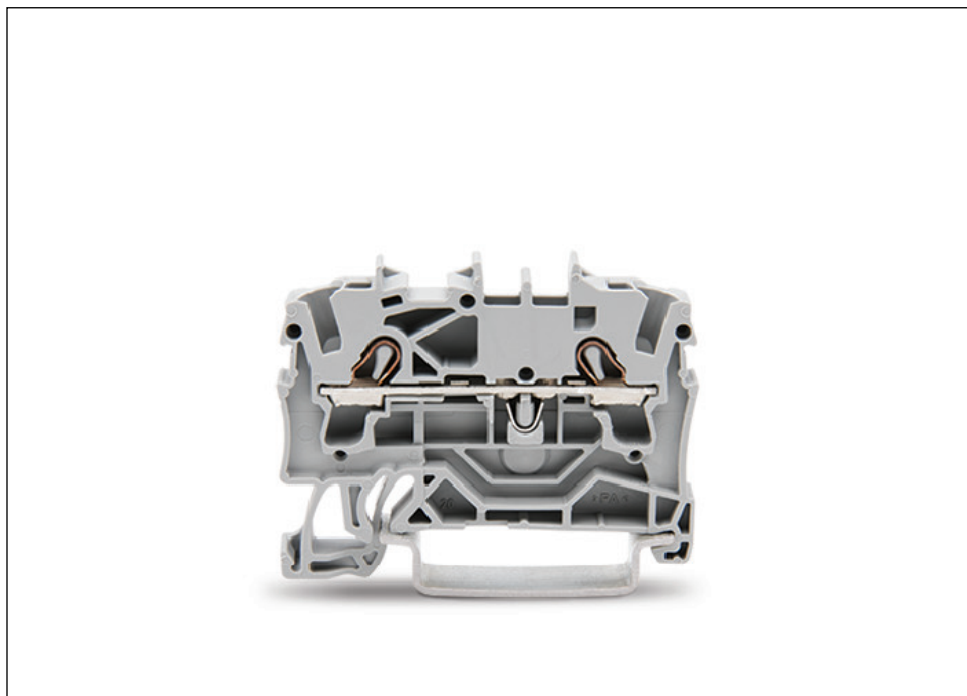
Ratings per	IEC/EN 60947-7-1
Rated voltage (III / 3) [V]	800 [V]
Rated impulse voltage (III / 3) [kV]	8 [kV]
Rated current [A]	24 [A]
Rated current (2) [A]	32 [A]

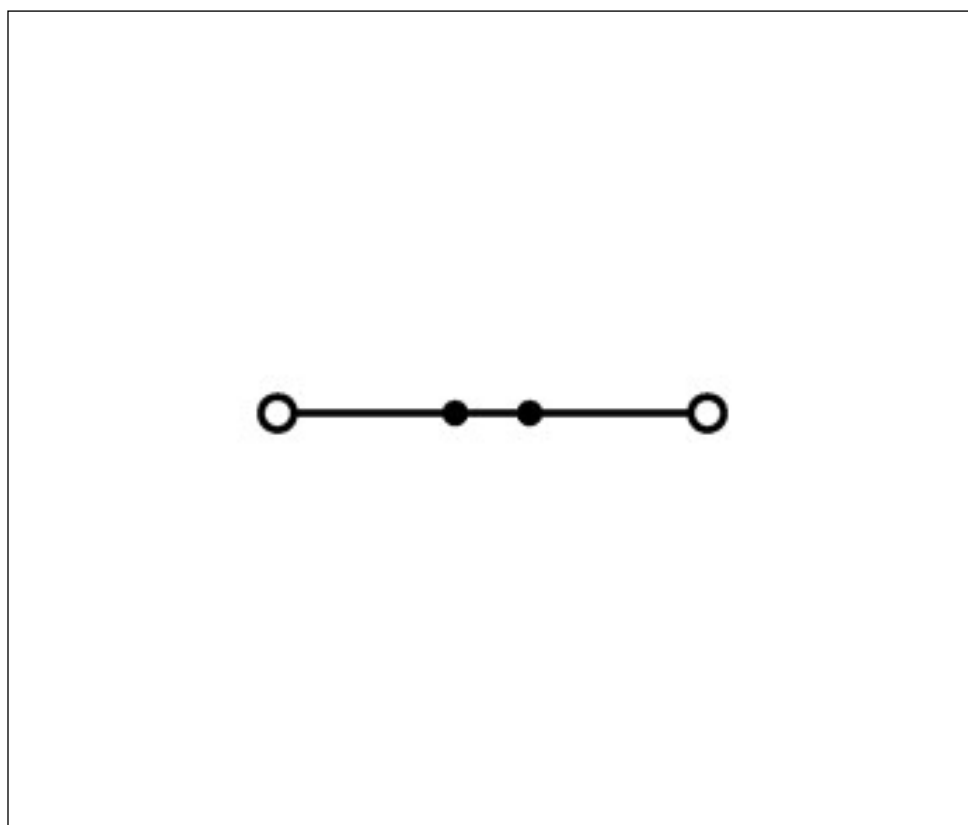
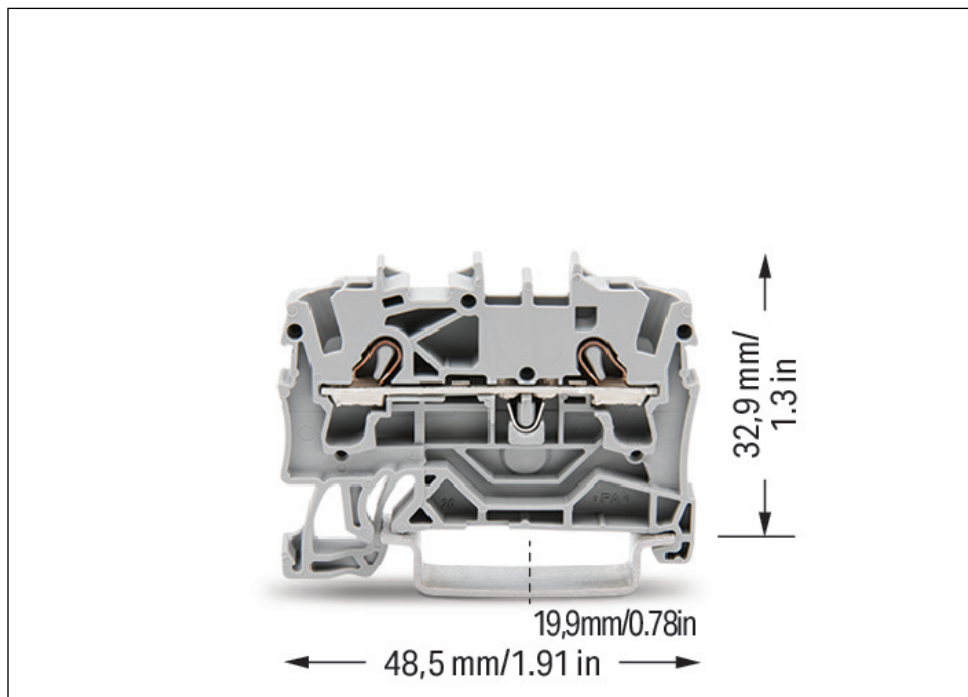
Printview: 2-conductor through terminal block; 2.5 mm²; suitable for Ex e II applications; side and center marking; for DIN-rail 35 x 15 and 35 x 7.5; Push-in CAGE CLAMP® - Item No.: 2002-1201

Technical data	
<i>Rated voltage EN (Ex e II) [V]</i>	550 [V]
<i>Rated current (Ex e II) [A]</i>	22 [A]
<i>Rated current (Ex e II) with jumper [A]</i>	20 [A]
<i>Legend (ratings)</i>	(III / 3) Overvoltage category III / Pollution degree 3
<i>Connection technology</i>	Push-in CAGE CLAMP®
<i>Actuation type</i>	Push-in
<i>Connectable conductor materials</i>	Copper
<i>Nominal cross section</i>	2.5 mm ²
<i>Solid conductor</i>	0.25 ... 4 mm ² / 22 ... 12 AWG
<i>Solid conductor, push-in termination</i>	0.75 ... 4 mm ² / 18 ... 12 AWG
<i>Fine-stranded conductor</i>	0.25 ... 4 mm ² / 22 ... 12 AWG
<i>Fine-stranded conductor with ferrule, push-in termination, f</i>	0.75 mm ² / 18 AWG
<i>Strip length</i>	10 ... 12 mm / 0.39 ... 0.47 Inch
<i>Total number of connection points</i>	2
<i>Total number of potentials</i>	1
<i>Number of levels</i>	1
<i>Type of wiring</i>	Front-entry wiring
<i>Width</i>	5.2 mm / 0.205 Inch
<i>Height from upper-edge of DIN-35 rail</i>	32.9 mm / 1.295 Inch
<i>Depth</i>	48.5 mm / 1.909 Inch
<i>Design</i>	horizontal
<i>Type of mounting</i>	Carrier rail 35 x 15
<i>Marking level</i>	Center/side marking
<i>Color</i>	gray
<i>Insulating material</i>	Polyamide 66 (PA 66)
<i>Fire load [MJ]</i>	0.109 [MJ]
<i>Weight [g]</i>	5.079 [g]
<i>Packaging type</i>	BOX
<i>Product Family</i>	TOPJOB® S
<i>Main product function</i>	Through term. block
<i>Product type</i>	Through rail-mount term. blocks

Printview: 2-conductor through terminal block; 2.5 mm²; suitable for Ex e II applications; side and center marking; for DIN-rail 35 x 15 and 35 x 7.5; Push-in CAGE CLAMP® - Item No.: 2002-1201

Images & drawings





Printview: 2-conductor through terminal block; 2.5 mm²; suitable for Ex e II applications; side and center marking; for DIN-rail 35 x 15 and 35 x 7.5; Push-in CAGE CLAMP® - Item No.: 2002-1201

Address

WAGO Kontakttechnik GmbH & Co. KG

Hansastr. 27

32423 Minden

Telefon: 0571/887-0

Fax: 0571/887-169

<http://www.wago.com>

© WAGO Kontakttechnik GmbH & Co. KG

Technische Änderungen und Irrtümer vorbehalten.